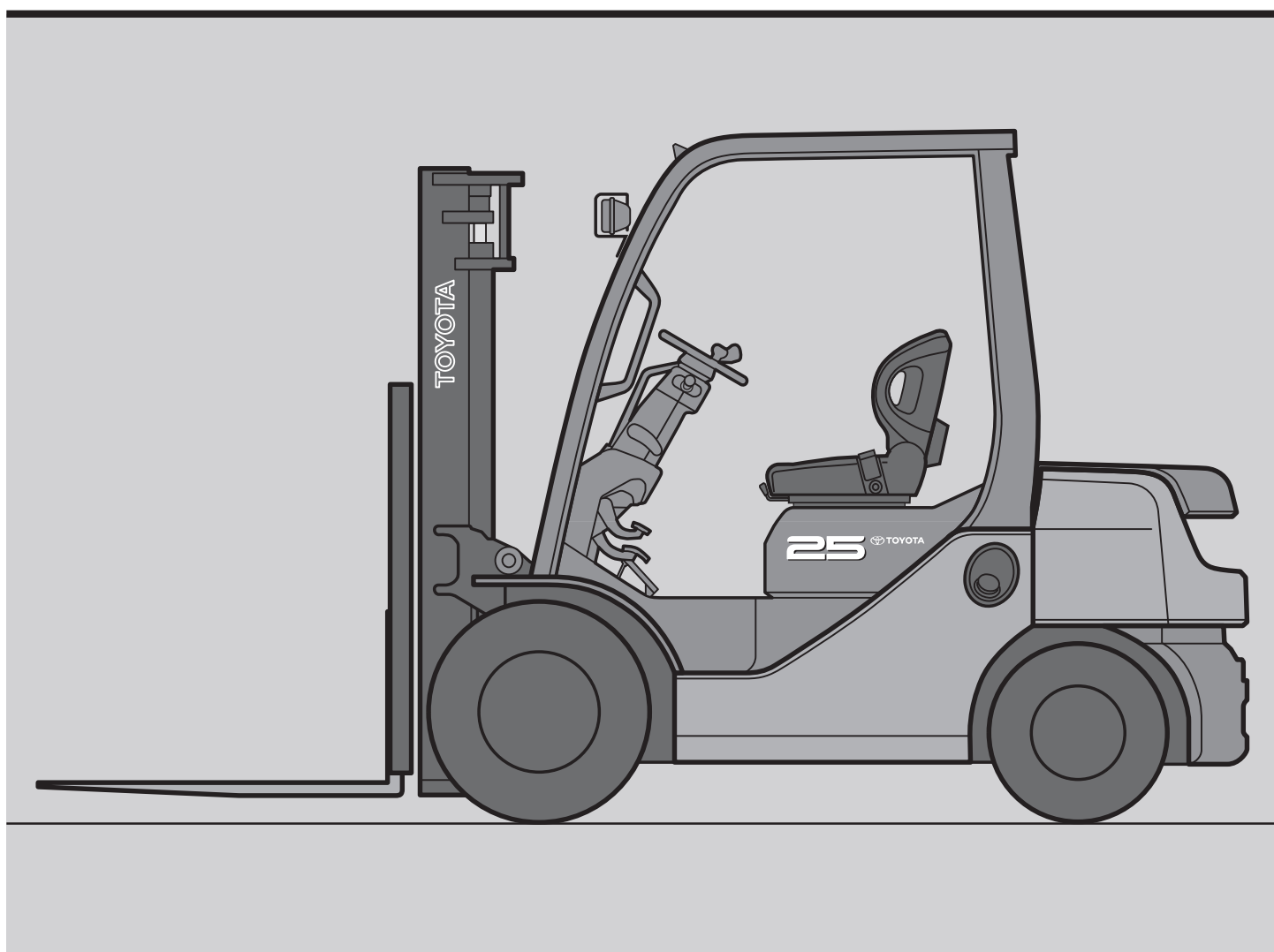


ENGINE POWERED FORKLIFT

8FG/8FD 1.0 to 3.5 Ton Series



1,000 kg

MAIN VEHICLE SPECIFICATIONS

Characteristics	1		TOYOTA		TOYOTA		1		
	2		30-8FG10	32-8FG10	60-8FD10	62-8FD10	2		
3	Load Capacity	kg	1000		1000		3		
4	Load Center	mm	500		500		4		
5	Power Type		Gasoline		Diesel		5		
6	Operator Position		Rider Seated		Rider Seated		6		
7	Tire Type	Front/Rear	Pneumatic		Pneumatic		7		
8	Wheels (x = driven)	Front/Rear	2x/2		2x/2		8		
Dimensions	9	Maximum Fork Height (MFH)	mm	3000		3000		9	
	10	Free Lift	mm	140		140		10	
	13	Fork Size	T x W x L	30x100x1070		30x100x1070		13	
		Fork Spread (Outside)	MAX./MIN.	920/200		920/200			
	14	Tilt Range	FWD/BWD	7/10		7/10		14	
	15	Length to Fork Face	mm	2240		2240		15	
	16	Overall Width	mm	1045		1045		16	
	17	Mast Lowered Height	mm	1970		1970		17	
	18	Mast Extended Height	mm	4220		4220		18	
	19	Overhead Guard Height	mm	2080		2080		19	
	21	Turning Radius (Outside)	mm	1910		1910		21	
		Load Distance (Centerline of front axle to front face of forks)	mm	400		400			
		Rear Overhang	mm	355		355			
	23	Basic Right Angle Stacking Aisle Width (Add load length and clearance)	mm	2310		2310		23	
	Performance	24	Travel, Max. (FWD/RVS)	Full Load	km/h	19.0/19.0	18.5/18.5	17.5/17.5	17.5/17.5
No Load				km/h	19.5/19.5	19.0/19.0	18.0/18.0	18.0/18.0	
Lifting			Full Load	mm/sec	610	610	650	650	25
			No Load	mm/sec	660	660	675	675	
Lowering		Full Load	mm/sec	500	500	500	500	26	
		No Load	mm/sec	550	550	550	550		
28		Max. Drawbar Pull	Full Load	N (kg)	16800 (1710)	19500 (1990)	17500 (1780)	19500 (1990)	28
			No Load	N (kg)	7500 (760)	6800 (690)	7500 (760)	7500 (760)	
	Max. Drawbar Pull at 1.5km/h *	Full Load	N (kg)	—	17300 (1760)	—	17600 (1790)		
29	Gradeability at 1.5 km/h *	Full Load	% (tanθ)	—	45	—	45	29	
30	Max. Gradeability *	Full Load	% (tanθ)	45	45	45	45	30	
		No Load	% (tanθ)	28	28	28	28		
Weight	32	Total Weight	kg	2070		2170		32	
	33	Weight Distribution	Full Load	Front	kg	2670	2720	33	
				Rear	kg	400	450		
	34	No Load	Front	kg	1060	1110	34		
Rear			kg	1010	1060				
Wheels and Tires	35	Tires	Number	Front/Rear	2/2		2/2		35
			Size	Front	6.00-9-10PR (I)		6.00-9-10PR (I)		36
	37		Rear	5.00-8-8PR (I)		5.00-8-8PR (I)		37	
	38	Wheelbase	mm	1485		1485		38	
	39	Tread	Front	mm	885		885		39
			Rear	mm	895		895		
		Backrest Height	mm	1220		1220			
		Overhead Guard Clearance	mm	1055		1055			
		Counterweight Height	mm	1070		1070			
		Drawbar Pin Center Height	mm	285		285			
		Step Height/Floor Height	mm	370/605		370/605			
	40	Underclearance (Full Load)	Min. <Mast>	mm	80		80		40
41		Center of Wheelbase	mm	110		110		41	
42	Grade Clearance	Frame/Counterweight	% (tanθ)	41/58		41/58			
42	Brake	Service (Foot)		Hydraulic		Hydraulic		42	
		Parking		Hand	Foot	Hand	Foot	43	
45	Battery	Voltage/Capacity (5HR)	V/AH	12/27		12/55		45	
Drive Unit and Control	49		Make/Model	TOYOTA/4Y		TOYOTA/1DZ-II [1DZ-III] **		49	
	50		Rated Power/r.p.m.	kW (JIS ps)		40/2400 (54/2400)		50	
	51	Internal Combustion Engine	Rated Torque/r.p.m.	N-m (JIS kg-m)		162/1800 (16.5/1800)		51	
	52		Number of Cylinder	4		4			
			Piston Displacement	cc		2237		52	
			Fuel Tank Capacity	liter		45			
55	Transmission	Type		Manual	Powershift	Manual	Powershift		
		Stage	FWD/RVS	2/2	1/1	2/2	1/1	55	
57	Operating Pressure	For Attachments	Mpa (kg/cm ²)	11.8 (120)		11.8 (120)		57	

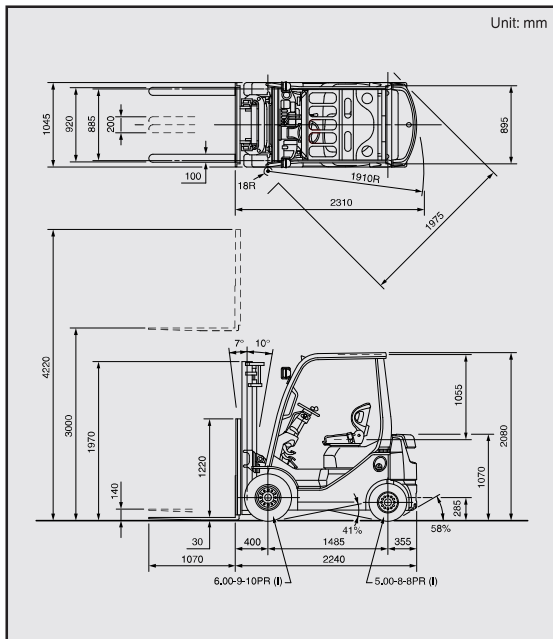
NOTE: * Computed values.

** 1DZ-II: Non-road Mobile Machinery (97/68/EC; Stage II) EPA Non-road Diesel Emissions (40 CFR Part 89; Interim Tier 2).
1DZ-III: Non-road Mobile Machinery (97/68/EC; Stage IIIA) EPA Non-road Diesel Emissions (40 CFR Part 1039; Interim Tier 4).

The data in this publication was determined based on our standard testing condition. Operating performance may vary depending on the actual specification and condition of the vehicle as well as the condition of the operating area.

8FG/8FD10

DIMENSIONAL DRAWINGS



Unit: mm

RATED CAPACITIES

Unit: kg (W)

V, FV Mast (PN or PSC)

A (mm)	4000	4500	5000
500	1000	950	950
600	900	850	850
700	810	770	770
800	750	710	710
900	690	650	650
1000	640	610	610
1100	600	570	570
1200	560	530	530

FSV Mast (PN)

A (mm)	3700	4000	4300	4500	4700	5000	5500	6000	6500	7000
500	950	900	900	900	900	850	850	700 [800]	— [700]	— [650]
600	850	810	810	810	810	760	760	630 [720]	— [630]	— [580]
700	780	740	740	740	740	690	690	570 [650]	— [570]	— [530]
800	710	670	670	670	670	640	640	520 [600]	— [520]	— [490]
900	660	620	620	620	620	590	590	480 [550]	— [480]	— [450]
1000	610	580	580	580	580	550	550	450 [510]	— [450]	— [420]
1100	570	540	540	540	540	510	510	420 [480]	— [420]	— [390]
1200	540	510	510	510	510	480	480	390 [450]	— [390]	— [370]

[] for dual tire models (PN or PSC).

FSV Mast (PSC)

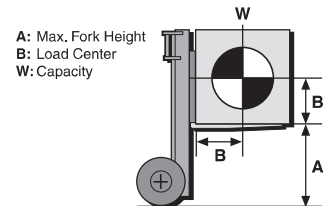
A (mm)	6000
500	800
600	720
700	650
800	600
900	550
1000	510
1100	480
1200	450

SPECIAL TREAD

Front Tire Single/Dual	Single	Single	Dual
Front Tire Size	6.00-9-10PR (I)	6.50-10-10PR (I)	4.50-12-8PR (I)
Overall Width mm	1045	1070	1290
Tread, Front mm	885	885	1010

UNDERCLEARANCE mm

Mast (Full Load)	80
Drive Axle (Full Load)	80
Steer Axle (No Load)	130
Center of Wheelbase (Full Load)	110
Counterweight (No Load)	125



A: Max. Fork Height
B: Load Center
W: Capacity

MAST SPECIFICATIONS & RATED CAPACITIES

Mast Type	Maximum Fork Height	Overall Height			Free Lift		Single Tire				Dual Tire		
		Lowered	Extended		Without Load Backrest	With Standard Load Backrest	Tilt Range		Load Capacity at 500 mm LC		Tilt Range		Load Capacity at 500 mm LC
			Without Load Backrest	With Standard Load Backrest			FWD	BWD	Pneumatic Tire	Pneumatic-Shaped Cushion Tire	FWD	BWD	
		mm	mm	mm	mm	mm	deg	deg	kg	kg	deg	deg	kg
Wide Visible Mast (V)	2700	1820*	3150**	3920	140	140	7	10	1000	1000	7	10	1000
	3000	1970*	3450**	4220	140	140	7	10	1000	1000	7	10	1000
	3300	2120*	3750**	4520	140	140	7	10	1000	1000	7	10	1000
	3500	2220*	3950**	4720	140	140	7	10	1000	1000	7	10	1000
	3700	2380*	4150**	4920	140	140	7	10	1000	1000	7	10	1000
	4000	2570*	4450**	5220	140	140	7	10	1000	1000	7	10	1000
	4500	2820*	4950**	5720	140	140	7	5	950	950	7	10	950
5000	3070*	5450**	6220	140	140	7	5	950	950	7	5	950	
Wide Visible Full-Free Lift Two-Stage Mast (FV)	2870***	1905*	3440	4090	1335*	685*	7	10	1000	1000	7	10	1000
	3000	1970*	3570	4220	1400*	750*	7	10	1000	1000	7	10	1000
	3300	2120*	3870	4520	1550*	900*	7	10	1000	1000	7	10	1000
	3500	2220*	4070	4720	1650*	1000*	7	10	1000	1000	7	10	1000
	3700	2380*	4270	4920	1810*	1160*	7	10	1000	1000	7	10	1000
	4000	2570*	4570	5220	2000*	1350*	7	10	1000	1000	7	10	1000
Wide Visible Full-Free Lift Three-Stage Mast (FSV)	3700	1770*	4240	4920	1230*	550*	7	5	950	950	7	5	950
	4000	1870*	4540	5220	1330*	650*	7	5	900	900	7	5	900
	4300	1970*	4840	5520	1430*	750*	7	5	900	900	7	5	900
	4500	2040*	5040	5720	1500*	820*	7	5	900	900	7	5	900
	4700	2120*	5240	5920	1580*	900*	7	5	900	900	7	5	900
	5000	2220*	5540	6220	1680*	1000*	7	5	850	850	7	5	850
	5500	2380*	6040	6720	1840*	1160*	7	5	850	850	7	5	850
	6000	2570*	6540	7220	2030*	1350*	7	5	700	800	7	5	800
	6500	2820*	7040	7720	2280*	1600*	—	—	—	—	7	5	700
	7000	3070*	7540	8220	2530*	1850*	—	—	—	—	7	5	650

NOTE: Height of standard load backrest is 1220 mm.
* with optional tire size; 6.50-10-10PR (I), plus 25 mm.
** with A4 piping, plus 155 mm.
*** Set only to a Russian specification.

1,500 kg

MAIN VEHICLE SPECIFICATIONS

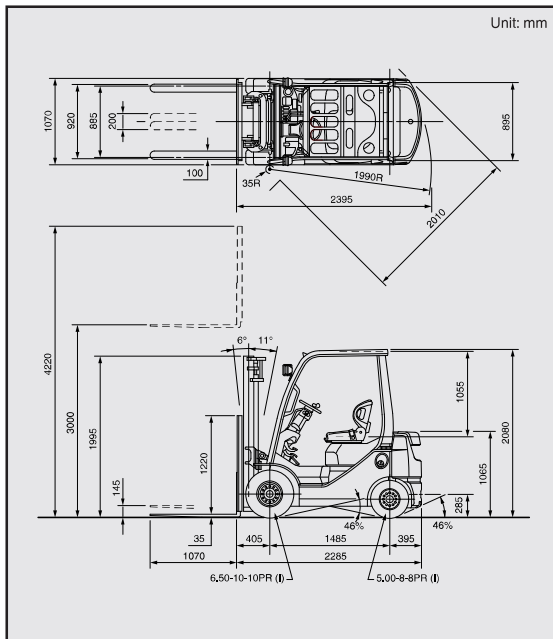
Characteristics	1		TOYOTA		TOYOTA		1			
	2		30-8FG15	32-8FG15	60-8FD15	62-8FD15	2			
3	Load Capacity	kg	1500		1500		3			
4	Load Center	mm	500		500		4			
5	Power Type		Gasoline		Diesel		5			
6	Operator Position		Rider Seated		Rider Seated		6			
7	Tire Type	Front/Rear	Pneumatic		Pneumatic		7			
8	Wheels (x = driven)	Front/Rear	2x/2		2x/2		8			
Dimensions	9	Maximum Fork Height (MFH)	mm	3000		3000		9		
	10	Free Lift	mm	145		145		10		
	13	Fork Size	T x W x L	35x100x1070		35x100x1070		13		
		Fork Spread (Outside)	MAX./MIN.	920/200		920/200				
	14	Tilt Range	FWD/BWD	6/11		6/11		14		
	15	Length to Fork Face	mm	2285		2285		15		
	16	Overall Width	mm	1070		1070		16		
	17	Mast Lowered Height	mm	1995		1995		17		
	18	Mast Extended Height	mm	4220		4220		18		
	19	Overhead Guard Height	mm	2080		2080		19		
	21	Turning Radius (Outside)	mm	1990		1990		21		
	22	Load Distance (Centerline of front axle to front face of forks)	mm	405		405		22		
		Rear Overhang	mm	395		395				
23	Basic Right Angle Stacking Aisle Width (Add load length and clearance)	mm	2395		2395		23			
Performance	24	Travel, Max. (FWD/RVS)	Full Load	km/h	19.0/19.0	18.5/18.5	19.0/19.0	19.0/19.0	24	
			No Load	km/h	19.5/19.5	19.0/19.0	19.5/19.5	19.5/19.5		
	25	Speeds	Lifting	Full Load	mm/sec	610	610	650	650	25
				No Load	mm/sec	660	660	675	675	
	26		Lowering	Full Load	mm/sec	500	500	500	500	26
				No Load	mm/sec	550	550	550	550	
	28	Max. Drawbar Pull	Full Load	N (kg)	15500 (1580)	17500 (1790)	15500 (1580)	17600 (1790)	28	
No Load			N (kg)	6900 (700)	6300 (640)	7000 (710)	7000 (710)			
	Max. Drawbar Pull at 1.5km/h *	Full Load	N (kg)	—	15700 (1600)	—	16000 (1630)			
29	Gradeability at 1.5 km/h *	Full Load	% (tanθ)	—	45	—	45	29		
30	Max. Gradeability *	Full Load	% (tanθ)	45	45	44	45	30		
		No Load	% (tanθ)	22	22	22	22			
Weight	32	Total Weight	kg	2430		2530		32		
	33	Weight Distribution	Full Load	Front	kg	3430	3480	33		
				Rear	kg	500	550			
	34		No Load	Front	kg	1010	1060	34		
Rear				kg	1420	1470				
Wheels and Tires	35		Number	Front/Rear	2/2		2/2		35	
	36	Tires	Size	Front	6.50-10-10PR (I)		6.50-10-10PR (I)		36	
				Rear	5.00-8-8PR (I)		5.00-8-8PR (I)		37	
	38	Wheelbase	mm	1485		1485		38		
	39	Tread	Front	mm	885		885		39	
			Rear	mm	895		895			
		Backrest Height	mm	1220		1220				
		Overhead Guard Clearance	mm	1055		1055				
		Counterweight Height	mm	1065		1065				
		Drawbar Pin Center Height	mm	285		285				
	Step Height/Floor Height	mm	395/635		395/635					
40	Underclearance (Full Load)	Min. <Mast>	mm	100		100		40		
41		Center of Wheelbase	mm	115		115		41		
	Grade Clearance	Frame/Counterweight	% (tanθ)	46/46		46/46				
42	Brake	Service (Foot)		Hydraulic		Hydraulic		42		
43	Parking			Hand	Foot	Hand	Foot	43		
45	Battery	Voltage/Capacity (5HR)	V/AH	12/27		12/55		45		
Drive Unit and Control	49		Make/Model	TOYOTA/4Y		TOYOTA/1DZ-II [1DZ-III] **		49		
	50		Rated Power/r.p.m.	kW (JIS ps)		40 (55) /2400 (38 (52) /2400		50		
	51	Internal Combustion Engine	Rated Torque/r.p.m.	N-m (JIS kg-m)		162/1800 (16.5/1800)		167 (17.0) /1600 (157 (16.0) /2300]	51	
	52		Number of Cylinder	4		4		52		
			Piston Displacement	cc		2237		2486		
	Fuel Tank Capacity	liter		45		45				
55	Transmission	Type		Manual	Powershift	Manual	Powershift	55		
		Stage	FWD/RVS	2/2	1/1	2/2	1/1			
57	Operating Pressure	For Attachments	Mpa (kg/cm ²)	11.8 (120)		11.8 (120)		57		

NOTE: * Computed values.

** 1DZ-II: Non-road Mobile Machinery (97/68/EC; Stage II) EPA Non-road Diesel Emissions (40 CFR Part 89; Interim Tier 2).
1DZ-III: Non-road Mobile Machinery (97/68/EC; Stage IIIA) EPA Non-road Diesel Emissions (40 CFR Part 1039; Interim Tier 4).

The data in this publication was determined based on our standard testing condition. Operating performance may vary depending on the actual specification and condition of the vehicle as well as the condition of the operating area.

DIMENSIONAL DRAWINGS



Unit: mm

RATED CAPACITIES

Unit: kg (W)

V, FV Mast (PN or PSC)

A (mm)	4000	4500	5000
500	1500	1450	1300
600	1350	1300	1170
700	1220	1180	1060
800	1120	1090	970
900	1040	1000	900
1000	960	930	830
1100	900	870	780
1200	840	810	730

FSV Mast (PN)

A (mm)	4300	4500	4700	5000	5500	6000	6500	7000
500	1400	1350	1350	1250 [1300]	950 [1250]	700 [1100]	[900]	[650]
600	1260	1210	1210	1120 [1170]	850 [1120]	630 [990]	[810]	[580]
700	1150	1110	1110	1020 [1060]	780 [1020]	570 [900]	[740]	[530]
800	1050	1020	1020	940 [980]	710 [940]	520 [830]	[680]	[490]
900	970	940	940	870 [900]	660 [870]	480 [760]	[620]	[450]
1000	910	870	870	810 [840]	610 [810]	450 [710]	[580]	[420]
1100	850	820	820	750 [790]	570 [750]	420 [660]	[540]	[390]
1200	790	770	770	710 [740]	540 [710]	390 [620]	[510]	[370]

[] for dual tire models (PN or PSC).

FSV Mast (PSC)

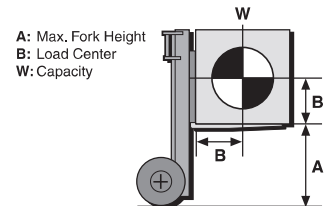
A (mm)	5000	5500	6000
500	1300	1050	800
600	1170	940	720
700	1060	860	650
800	980	790	600
900	900	730	550
1000	840	680	520
1100	790	630	480
1200	740	590	450

SPECIAL TREAD

Front Tire Single/Dual	Single	Single	Dual
Front Tire Size	6.50-10-10PR (I)	21x8-9-10PR (I)	4.50-12-8PR (I)
Overall Width mm	1070	1110	1290
Tread, Front mm	885	920	1010

UNDERCLEARANCE mm

Mast (Full Load)	100
Drive Axle (Full Load)	105
Steer Axle (No Load)	120
Center of Wheelbase (Full Load)	115
Counterweight (No Load)	120



A: Max. Fork Height
B: Load Center
W: Capacity

MAST SPECIFICATIONS & RATED CAPACITIES

Mast Type	Maximum Fork Height	Overall Height			Free Lift		Single Tire				Dual Tire		
		Lowered	Extended		Without Load Backrest	With Standard Load Backrest	Tilt Range		Load Capacity at 500 mm LC		Tilt Range		Load Capacity at 500 mm LC
			Without Load Backrest	With Standard Load Backrest			FWD	BWD	Pneumatic Tire	Pneumatic-Shaped Cushion Tire	FWD	BWD	
		mm	mm	mm	mm	mm	mm	deg	deg	kg	kg	deg	deg
Wide Visible Mast (V)	2700	1845	3150*	3920	145	145	6	11	1500	1500	7	10	1500
	3000	1995	3450*	4220	145	145	6	11	1500	1500	7	10	1500
	3300	2145	3750*	4520	145	145	6	11	1500	1500	7	10	1500
	3500	2245	3950*	4720	145	145	6	11	1500	1500	7	10	1500
	3700	2405	4150*	4920	145	145	6	11	1500	1500	7	10	1500
	4000	2595	4450*	5220	145	145	6	11	1500	1500	7	10	1500
	4500	2845	4950*	5720	145	145	6	6	1450	1450	7	10	1450
5000	3095	5450*	6220	145	145	6	6	1300	1300	7	5	1300	
Wide Visible Full-Free Lift Two-Stage Mast (FV)	2870**	1930	3440	4090	1365	715	6	11	1500	1500	7	10	1500
	3000	1995	3570	4220	1430	780	6	11	1500	1500	7	10	1500
	3300	2145	3870	4520	1580	930	6	11	1500	1500	7	10	1500
	3500	2245	4070	4720	1680	1030	6	11	1500	1500	7	10	1500
	3700	2405	4270	4920	1840	1190	6	11	1500	1500	7	10	1500
	4000	2595	4570	5220	2030	1380	6	11	1500	1500	7	10	1500
Wide Visible Full-Free Lift Three-Stage Mast (FSV)	3700	1795	4240	4920	1260	580	6	6	1400	1400	7	5	1400
	4000	1895	4540	5220	1360	680	6	6	1400	1400	7	5	1400
	4300	1995	4840	5520	1460	780	6	6	1400	1400	7	5	1400
	4500	2065	5040	5720	1530	850	6	6	1350	1350	7	5	1350
	4700	2145	5240	5920	1610	930	6	6	1350	1350	7	5	1350
	5000	2245	5540	6220	1710	1030	6	6	1250	1300	7	5	1300
	5500	2405	6040	6720	1870	1190	6	6	950	1050	7	5	1250
	6000	2595	6540	7220	2060	1380	6	6	700	800	7	5	1100
	6500	2845	7040	7720	2310	1630	—	—	—	—	7	5	900
	7000	3095	7540	8220	2560	1880	—	—	—	—	7	5	650

NOTE: Height of standard load backrest is 1220 mm.
* with A4 piping, plus 155 mm.
** Set only to a Russian specification.

1,750 kg

MAIN VEHICLE SPECIFICATIONS

Characteristics	1	Manufacturer			TOYOTA	TOYOTA	1	
	2	Model			32-8FG18	62-8FD18	2	
	3	Load Capacity	kg		1750	1750	3	
	4	Load Center	mm		500	500	4	
	5	Power Type			Gasoline	Diesel	5	
	6	Operator Position			Rider Seated	Rider Seated	6	
	7	Tire Type	Front/Rear		Pneumatic	Pneumatic	7	
	8	Wheels (x = driven)	Front/Rear		2x/2	2x/2	8	
Dimensions	9	Maximum Fork Height (MFH)		mm	3000	3000	9	
	10	Free Lift		mm	145	145	10	
	13	Fork Size	T x W x L	mm	35x100x1070	35x100x1070	13	
		Fork Spread (Outside)	MAX./MIN.	mm	920/200	920/200		
	14	Tilt Range	FWD/BWD	deg	6/11	6/11	14	
	15	Length to Fork Face		mm	2310	2310	15	
	16	Overall Width		mm	1070	1070	16	
	17	Mast Lowered Height		mm	1995	1995	17	
	18	Mast Extended Height		mm	4220	4220	18	
	19	Overhead Guard Height		mm	2080	2080	19	
	21	Turning Radius (Outside)		mm	2010	2010	21	
		Load Distance (Centerline of front axle to front face of forks)		mm	405	405		
		Rear Overhang		mm	420	420		
	23	Basic Right Angle Stacking Aisle Width (Add load length and clearance)		mm	2415	2415	23	
	Performance	24	Travel, Max. (FWD/RVS)	Full Load	km/h	18.5/18.5	19.0/19.0	24
No Load				km/h	19.0/19.0	19.5/19.5		
Lifting			Full Load	mm/sec	610	650	25	
			No Load	mm/sec	660	675		
26		Lowering	Full Load	mm/sec	500	500	26	
			No Load	mm/sec	550	550		
28		Max. Drawbar Pull		Full Load	N (kg)	17500 (1790)	17600 (1790)	28
			No Load	N (kg)	6300 (640)	6300 (640)		
	Max. Drawbar Pull at 1.5km/h *		Full Load	N (kg)	15600 (1590)	16000 (1630)		
29	Gradeability at 1.5 km/h *		Full Load	% (tanθ)	40	40	29	
30	Max. Gradeability *		Full Load	% (tanθ)	45	44	30	
			No Load	% (tanθ)	20	20		
Weight	32		Total Weight		kg	2610	2710	32
	33	Weight Distribution	Full Load	Front	kg	3790	3910	33
				Rear	kg	570	550	
			No Load	Front	kg	970	1090	34
Rear				kg	1640	1620		
Wheels and Tires	35	Tires	Number	Front/Rear		2/2	2/2	35
			Front		6.50-10-10PR (I)	6.50-10-10PR (I)		
	37	Size	Rear		5.00-8-8PR (I)	5.00-8-8PR (I)	37	
	38	Wheelbase		mm	1485	1485	38	
	39	Tread	Front	mm	885	885	39	
			Rear	mm	895	895		
		Backrest Height		mm	1220	1220		
		Overhead Guard Clearance		mm	1055	1055		
		Counterweight Height		mm	1060	1060		
	Drawbar Pin Center Height		mm	285	285			
	Step Height/Floor Height		mm	395/635	395/635			
40	Underclearance (Full Load)	Min. <Mast>	mm	100	100	40		
41	Grade Clearance	Center of Wheelbase	mm	115	115	41		
		Frame/Counterweight	% (tanθ)	46/42	46/42			
42	Brake	Service (Foot)		Hydraulic	Hydraulic	42		
43		Parking		Foot	Foot	43		
45	Battery	Voltage/Capacity (5HR)	V/AH	12/27	12/55	45		
Drive Unit and Control	49	Make/Model			TOYOTA/4Y	TOYOTA/1DZ-II [1DZ-III] **	49	
	50	Rated Power/r.p.m.		kW (JIS ps)	40/2400 (54/2400)	40 (55) /2400 (38 (52) /2400)	50	
	51	Rated Torque/r.p.m.		N-m (JIS kg-m)	162/1800 (16.5/1800)	167 (17.0) /1600 [157 (16.0) /2300]	51	
	52	Number of Cylinder			4	4	52	
		Piston Displacement		cc	2237	2486		
		Fuel Tank Capacity		liter	45	45		
55	Transmission		Type	Powershift	Powershift	55		
	Stage	FWD/RVS		1/1	1/1			
57	Operating Pressure	For Attachments	Mpa (kg/cm ²)	11.8 (120)	11.8 (120)	57		

NOTE: * Computed values.

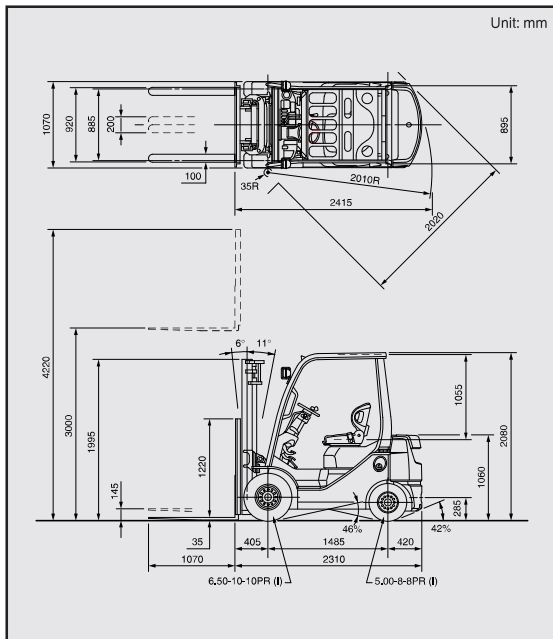
** 1DZ-II: Non-road Mobile Machinery (97/68/EC; Stage II) EPA Non-road Diesel Emissions (40 CFR Part 89; Interim Tier 2).

1DZ-III: Non-road Mobile Machinery (97/68/EC; Stage IIIA) EPA Non-road Diesel Emissions (40 CFR Part 1039; Interim Tier 4).

The data in this publication was determined based on our standard testing condition.

Operating performance may vary depending on the actual specification and condition of the vehicle as well as the condition of the operating area.

DIMENSIONAL DRAWINGS



SPECIAL TREAD

Front Tire Single/Dual	Single	Single	Dual
Front Tire Size	6.50-10-10PR (I)	21x8-9-10PR (I)	4.50-12-8PR (I)
Overall Width mm	1070	1110	1290
Tread, Front mm	885	920	1010

UNDERCLEARANCE mm

Mast (Full Load)	100
Drive Axle (Full Load)	105
Steer Axle (No Load)	120
Center of Wheelbase (Full Load)	115
Counterweight (No Load)	120

RATED CAPACITIES

Unit: kg (W)

V, FV Mast (PN or PSC)

A (mm)	3700	4000	4500	5000
500	1750	1700	1600	1550
600	1570	1530	1440	1390
700	1430	1390	1310	1270
800	1310	1270	1200	1160
900	1210	1180	1110	1070
1000	1120	1090	1030	1000
1100	1050	1020	960	930
1200	980	960	900	870

FSV Mast (PN)

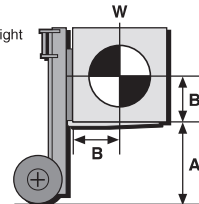
A (mm)	4000	4300	4500	4700	5000	5500	6000	6500	7000
500	1600	1550	1500	1500	1450	1100 [1400]	850 [1200]	— [850]	— [600]
600	1440	1390	1350	1350	1300	990 [1260]	760 [1080]	— [760]	— [540]
700	1310	1270	1230	1230	1190	900 [1150]	680 [980]	— [690]	— [490]
800	1200	1170	1130	1130	1090	830 [1050]	640 [900]	— [640]	— [450]
900	1110	1080	1040	1040	1010	780 [970]	590 [830]	— [590]	— [410]
1000	1040	1000	970	970	940	710 [910]	550 [780]	— [550]	— [390]
1100	970	940	910	910	880	660 [850]	510 [720]	— [510]	— [360]
1200	910	880	850	850	820	620 [790]	480 [680]	— [480]	— [340]

[] for dual tire models (PN or PSC).

FSV Mast (PSC)

A (mm)	5500	6000
500	1200	950
600	1080	850
700	980	780
800	900	710
900	830	660
1000	780	610
1100	720	570
1200	680	540

A: Max. Fork Height
B: Load Center
W: Capacity



MAST SPECIFICATIONS & RATED CAPACITIES

Mast Type	Maximum Fork Height	Overall Height			Free Lift		Single Tire				Dual Tire		
		Lowered	Extended		Without Load Backrest	With Standard Load Backrest	Tilt Range		Load Capacity at 500 mm LC		Tilt Range		Load Capacity at 500 mm LC
			Without Load Backrest	With Standard Load Backrest			FWD	BWD	Pneumatic Tire	Pneumatic-Shaped Cushion Tire	FWD	BWD	
		mm	mm	mm	mm	mm	mm	deg	deg	kg	kg	deg	deg
Wide Visible Mast (V)	2700	1845	3330*	3920	145	145	6	11	1750	1750	7	10	1750
	3000	1995	3630*	4220	145	145	6	11	1750	1750	7	10	1750
	3300	2145	3930*	4520	145	145	6	11	1750	1750	7	10	1750
	3500	2245	4130*	4720	145	145	6	11	1750	1750	7	10	1750
	3700	2405	4330*	4920	145	145	6	11	1750	1750	7	10	1750
	4000	2595	4630*	5220	145	145	6	11	1700	1700	7	10	1700
	4500	2845	5130*	5720	145	145	6	6	1600	1600	7	10	1600
5000	3095	5630*	6220	145	145	6	6	1550	1550	7	5	1550	
Wide Visible Full-Free Lift Two-Stage Mast (FV)	2870**	1930	3440	4090	1365	715	6	11	1750	1750	7	10	1750
	3000	1995	3570	4220	1430	780	6	11	1750	1750	7	10	1750
	3300	2145	3870	4520	1580	930	6	11	1750	1750	7	10	1750
	3500	2245	4070	4720	1680	1030	6	11	1750	1750	7	10	1750
	3700	2405	4270	4920	1840	1190	6	11	1750	1750	7	10	1750
	4000	2595	4570	5220	2030	1380	6	11	1700	1700	7	10	1700
Wide Visible Full-Free Lift Three-Stage Mast (FSV)	3700	1795	4240	4920	1260	580	6	6	1600	1600	7	5	1600
	4000	1895	4540	5220	1360	680	6	6	1600	1600	7	5	1600
	4300	1995	4840	5520	1460	780	6	6	1550	1550	7	5	1550
	4500	2065	5040	5720	1530	850	6	6	1500	1500	7	5	1500
	4700	2145	5240	5920	1610	930	6	6	1500	1500	7	5	1500
	5000	2245	5540	6220	1710	1030	6	6	1450	1450	7	5	1450
	5500	2405	6040	6720	1870	1190	6	6	1100	1200	7	5	1400
	6000	2595	6540	7220	2060	1380	6	6	850	950	7	5	1200
	6500	2845	7040	7720	2310	1630	—	—	—	—	7	5	850
	7000	3095	7540	8220	2560	1880	—	—	—	—	7	5	600

NOTE: Height of standard load backrest is 1220 mm.
* with A4 piping, minus 15 mm.
** Set only to a Russian specification.

2,000 kg

MAIN VEHICLE SPECIFICATIONS

Characteristics	1	Manufacturer			TOYOTA	TOYOTA	1	
	2	Model			32-8FGK20	62-8FDK20	2	
	3	Load Capacity	kg		2000	2000	3	
	4	Load Center	mm		500	500	4	
	5	Power Type			Gasoline	Diesel	5	
	6	Operator Position			Rider Seated	Rider Seated	6	
	7	Tire Type	Front/Rear		Pneumatic	Pneumatic	7	
	8	Wheels (x = driven)	Front/Rear		2x/2	2x/2	8	
Dimensions	9	Maximum Fork Height (MFH)		mm	3000	3000	9	
	10	Free Lift		mm	125	125	10	
	13	Fork Size	T x W x L	mm	38x120x1070	38x120x1070	13	
		Fork Spread (Outside)	MAX./MIN.	mm	1020/240	1020/240		
	14	Tilt Range	FWD/BWD	deg	7/10	7/10	14	
	15	Length to Fork Face		mm	2360	2360	15	
	16	Overall Width		mm	1155	1155	16	
	17	Mast Lowered Height		mm	1975	1975	17	
	18	Mast Extended Height		mm	4220	4220	18	
	19	Overhead Guard Height		mm	2085	2085	19	
	21	Turning Radius (Outside)		mm	2040	2040	21	
		Load Distance (Centerline of front axle to front face of forks)		mm	420 (430) **	420 (430) **	22	
		Rear Overhang		mm	455	455		
	23	Basic Right Angle Stacking Aisle Width (Add load length and clearance)		mm	2460	2460	23	
	Performance	24	Travel, Max. (FWD/RVS)	Full Load	km/h	17.0/17.0	17.0/17.0	24
No Load				km/h	17.5/17.5	17.5/17.5		
Lifting			Full Load	mm/sec	600	580	25	
			No Load	mm/sec	640	600		
26		Lowering	Full Load	mm/sec	500	500	26	
			No Load	mm/sec	550	500		
28		Max. Drawbar Pull		Full Load	N (kg)	19000 (1940)	19500 (1990)	28
			No Load	N (kg)	7800 (800)	7800 (800)		
	Max. Drawbar Pull at 1.5km/h *		Full Load	N (kg)	17400 (1770)	17500 (1780)		
29	Gradeability at 1.5 km/h *		Full Load	% (tanθ)	35	34	29	
30	Max. Gradeability *		Full Load	% (tanθ)	39	38	30	
			No Load	% (tanθ)	20	20		
Weight	32		Total Weight		kg	3110	3180	32
	33	Weight Distribution	Full Load	Front	kg	4440	4480	33
				Rear	kg	670	700	
	34		No Load	Front	kg	1140	1180	34
Rear				kg	1970	2000		
Wheels and Tires	35	Tires		Number	Front/Rear	2/2	2/2	35
	36			Front		21x8-9-14PR (I)	21x8-9-14PR (I)	36
	37			Rear		18x7-8-10PR (I)	18x7-8-10PR (I)	37
	38	Wheelbase		mm	1485	1485	38	
	39	Tread	Front	mm	960	960	39	
			Rear	mm	940	940		
		Backrest Height		mm	1220	1220		
		Overhead Guard Clearance		mm	1055	1055		
		Counterweight Height		mm	1215	1215		
		Drawbar Pin Center Height		mm	285	285		
	Step Height/Floor Height		mm	380/615	380/615			
40	Underclearance (Full Load)	Min. <Mast>	mm	80	80	40		
41	Center of Wheelbase		mm	105	105	41		
42	Grade Clearance	Frame/Counterweight	% (tanθ)	40/38	40/38	42		
43	Brake	Service (Foot)		Hydraulic	Hydraulic	43		
		Parking		Foot	Foot			
45	Battery	Voltage/Capacity (5HR)	V/AH	12/27	12/55	45		
Drive Unit and Control	49	Make/Model			TOYOTA/4Y	TOYOTA/1DZ-II ***	49	
	50	Rated Power/r.p.m.		kW (JIS ps)	40/2400 (54/2400)	40/2400 (55/2400)	50	
	51	Rated Torque/r.p.m.		N-m (JIS kg-m)	162/1800 (16.5/1800)	167/1600 (17.0/1600)	51	
	52	Number of Cylinder			4	4	52	
		Piston Displacement		cc	2237	2486		
		Fuel Tank Capacity		liter	55	55		
55	Transmission	Type		Powershift	Powershift	55		
		Stage	FWD/RVS		1/1		1/1	
57	Operating Pressure	For Attachments	Mpa (kg/cm ²)	15.7 (160)	15.7 (160)	57		

NOTE: * Computed values.

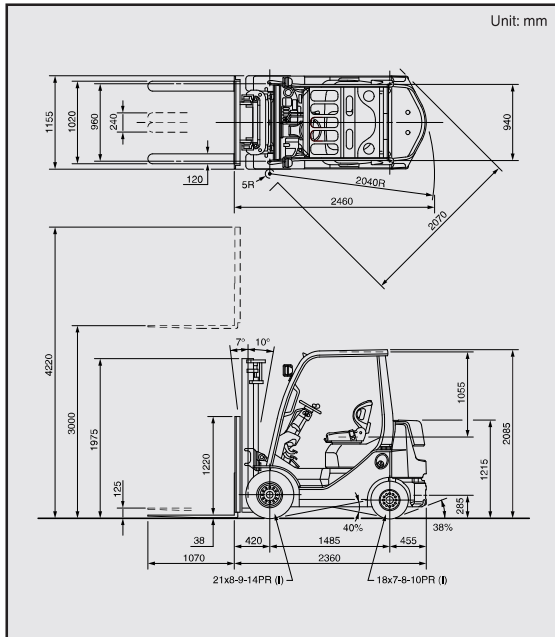
** Number shown in () is when the forkbar width is other than 1020 mm.

***1DZ-II: Non-road Mobile Machinery (97/68/EC; Stage II) EPA Non-road Diesel Emissions (40 CFR Part 89; Interim Tier 2).

The data in this publication was determined based on our standard testing condition. Operating performance may vary depending on the actual specification and condition of the vehicle as well as the condition of the operating area.

8FGK/8FDK20

DIMENSIONAL DRAWINGS



UNDERCLEARANCE mm

Mast (Full Load).....	80
Drive Axle (Full Load).....	85
Steer Axle (No Load).....	130
Center of Wheelbase (Full Load).....	105
Counterweight (No Load).....	125

RATED CAPACITIES

Unit: kg (W)

V, FV Mast (PN)

A (mm)	4000	4500	5000
500	2000	1950	1850
600	1800	1760	1670
700	1640	1600	1520
800	1510	1470	1400
900	1400	1360	1290
1000	1300	1270	1200
1100	1220	1190	1120
1200	1140	1110	1060

V, FV Mast (PSC)

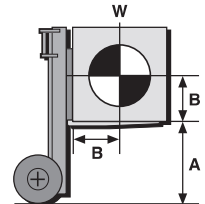
A (mm)	4000	4500	5000
500	2000	2000	2000
600	1800	1800	1800
700	1640	1640	1640
800	1510	1510	1510
900	1400	1400	1400
1000	1300	1300	1300
1100	1220	1220	1220
1200	1140	1140	1140

FSV Mast (PN)

A (mm)	3700	4000	4300	4500	4700	5000	5500	6000
500	2000	1950	1900	1850	1850	1450	1200	850
600	1810	1760	1720	1670	1670	1310	1080	760
700	1650	1610	1570	1530	1530	1200	990	700
800	1520	1480	1440	1400	1400	1100	910	640
900	1410	1370	1340	1300	1300	1020	840	600
1000	1310	1280	1240	1210	1210	950	780	550
1100	1230	1200	1160	1130	1130	890	730	520
1200	1150	1120	1090	1060	1060	830	690	490

FSV Mast (PSC)

A (mm)	4700	5000	5500	6000
500	2000	1600	1350	1000
600	1810	1440	1220	900
700	1650	1320	1110	820
800	1520	1210	1020	760
900	1410	1120	950	700
1000	1310	1050	880	650
1100	1230	980	830	610
1200	1150	920	780	570



A: Max. Fork Height
B: Load Center
W: Capacity

MAST SPECIFICATIONS & RATED CAPACITIES

Mast Type	Maximum Fork Height	Overall Height			Free Lift		Single Tire			
		Lowered	Extended		Without Load Backrest	With Standard Load Backrest	Tilt Range		Load Capacity at 500 mm LC	
			Without Load Backrest	With Standard Load Backrest			FWD	BWD	Pneumatic Tire	Pneumatic-Shaped Cushion Tire
mm	mm	mm	mm	mm	mm	deg	deg	kg	kg	
Wide Visible Mast (V)	2700	1825	3375	3920	120	120	7	10	2000	2000
	3000	1975	3675	4220	120	120	7	10	2000	2000
	3300	2125	3975	4520	120	120	7	10	2000	2000
	3500	2225	4175	4720	120	120	7	10	2000	2000
	3700	2385	4375	4920	120	120	7	10	2000	2000
	4000	2575	4675	5220	120	120	7	10	2000	2000
	4500	2825	5175	5720	120	120	7	5	1950	2000
5000	3075	5675	6220	120	120	7	5	1850	2000	
Wide Visible Full-Free Lift Two-Stage Mast (FV)	3000	1975	3610	4220	1365	760	7	10	2000	2000
	3300	2125	3910	4520	1515	910	7	10	2000	2000
	3500	2225	4110	4720	1615	1010	7	10	2000	2000
	3700	2385	4310	4920	1775	1170	7	10	2000	2000
	4000	2575	4610	5220	1965	1360	7	10	2000	2000
Wide Visible Full-Free Lift Three-Stage Mast (FSV)	3700	1775	4350	4920	1125	560	7	5	2000	2000
	4000	1875	4650	5220	1225	660	7	5	1950	2000
	4300	1975	4950	5520	1325	760	7	5	1900	2000
	4500	2045	5150	5720	1395	830	7	5	1850	2000
	4700	2125	5350	5920	1475	910	7	5	1850	2000
	5000	2225	5650	6220	1575	1010	7	5	1450	1600
	5500	2385	6150	6720	1735	1170	7	5	1200	1350
	6000	2575	6650	7220	1925	1360	7	5	850	1000

NOTE: Height of standard load backrest is 1220 mm.

2,000 kg

MAIN VEHICLE SPECIFICATIONS

1	Manufacturer		TOYOTA		TOYOTA		TOYOTA		1			
			30-8FG20	32-8FG20	60-8FD20	62-8FD20	70-8FD20	72-8FD20				
Characteristics	2	Model								2		
	3	Load Capacity		2000		2000		2000		3		
	4	Load Center		500		500		500		4		
	5	Power Type		Gasoline		Diesel		Diesel		5		
	6	Operator Position		Rider Seated		Rider Seated		Rider Seated		6		
	7	Tire Type	Front/Rear	Pneumatic		Pneumatic		Pneumatic		7		
	8	Wheels (x = driven)	Front/Rear	2x/2		2x/2		2x/2		8		
	Dimensions	9	Maximum Fork Height (MFH)		3000		3000		3000		9	
10		Free Lift		150		150		150		10		
13		Fork Size	T x W x L	38x120x1070		38x120x1070		38x120x1070		13		
13		Fork Spread (Outside)	MAX./MIN.	1020/240		1020/240		1020/240				
14		Tilt Range	FWD/BWD	6/11		6/11		6/11		14		
15		Length to Fork Face		2550		2550		2550		15		
16		Overall Width		1150		1150		1150		16		
17		Mast Lowered Height		1995		1995		1995		17		
18		Mast Extended Height		4220		4220		4220		18		
19		Overhead Guard Height		2110		2110		2110		19		
21		Turning Radius (Outside)		2200		2200		2200		21		
22		Load Distance (Centerline of front axle to front face of forks)		445 (455) **		445 (455) **		445 (455) **		22		
		Rear Overhang		455		455		455				
23		Basic Right Angle Stacking Aisle Width (Add load length and clearance)		2645		2645		2645		23		
Performance		24	Travel, Max. (FWD/RVS)	Full Load	km/h	18.0/18.0	17.5/17.5	19.5/19.5	19.0/19.0	19.0/19.0	24	
	No Load			km/h	18.5/18.5	18.0/18.0	20.0/20.0	19.5/19.5	19.5/19.5			
	25	Speeds	Lifting	Full Load	mm/sec	600	600	615	615	650	650	25
				No Load	mm/sec	640	640	655	655	675	675	
	26		Lowering	Full Load	mm/sec	500	500	500	500	500	500	26
				No Load	mm/sec	500	500	500	500	500	500	
	28	Max. Drawbar Pull	Full Load	N (kg)	16500 (1680)	18700 (1910)	17500 (1780)	18600 (1900)	19500 (1990)	20000 (2040)	28	
No Load			N (kg)	9000 (920)	9000 (920)	9100 (930)	9100 (930)	9200 (940)	9200 (940)			
	Max. Drawbar Pull at 1.5km/h *	Full Load	N (kg)	—	17200 (1750)	—	16900 (1720)	—	17500 (1780)			
29	Gradeability at 1.5 km/h *	Full Load	% (tanθ)	—	37	—	32	—	34	29		
30	Max. Gradeability *	Full Load	% (tanθ)	33	41	33	36	38	38	30		
		No Load	% (tanθ)	22	22	22	22	22	22			
Weight	32	Total Weight		kg	3250		3290		3340	32		
	33	Weight Distribution	Full Load	Front	kg	4580		4600		4620	33	
				Rear	kg	670		690		720		
	34		No Load	Front	kg	1410		1430		1450	34	
Rear				kg	1840		1860		1890			
Wheels and Tires	35		Number	Front/Rear	2/2		2/2		2/2		35	
	36	Tires	Size	Front	7.00-12-12PR (I)		7.00-12-12PR (I)		7.00-12-12PR (I)		36	
				Rear	6.00-9-10PR (I)		6.00-9-10PR (I)		6.00-9-10PR (I)		37	
	37											
	38	Wheelbase		mm	1650		1650		1650	38		
	39	Tread	Front	mm	960		960		960	39		
			Rear	mm	965		965		965			
		Backrest Height		mm	1220		1220		1220			
		Overhead Guard Clearance		mm	1055		1055		1055			
		Counterweight Height		mm	1095		1095		1095			
	Drawbar Pin Center Height		mm	310		310		310				
	Step Height/Floor Height		mm	435/675		435/675		435/675				
40	Underclearance (Full Load)	Min. <Mast>	mm	95		95		95	40			
41		Center of Wheelbase	mm	140		140		140	41			
	Grade Clearance	Frame/Counterweight	% (tanθ)	51/49		51/49		51/49				
42	Brake	Service (Foot)		Hydraulic		Hydraulic		Hydraulic		42		
43		Parking		Hand	Foot	Hand	Foot	Hand	Foot			
45	Battery	Voltage/Capacity (5HR)	V/AH	12/27		12/55		12/64		45		
Drive Unit and Control	49		Make/Model	TOYOTA/4Y		TOYOTA/1DZ-II [1DZ-III] ***		TOYOTA/2Z ****		49		
	50		Rated Power/r.p.m.	kW (JIS ps)		44 (60)/2600 [41 (55)/2500]		49/2200 (66/2200)		50		
	51	Internal Combustion Engine	Rated Torque/r.p.m.	N-m (JIS kg-m)		162/1800 (16.5/1800)		167 (17.0)/1600 [157 (16.0)/2500]		51		
	52		Number of Cylinder	4		4		4				
			Piston Displacement	cc		2237		2486				
			Fuel Tank Capacity	liter		60		60				
55	Transmission	Type		Manual	Powershift	Manual	Powershift	Manual	Powershift	55		
		Stage	FWD/RVS	2/2	1/1	2/2	1/1	2/2	1/1			
57	Operating Pressure	For Attachments	Mpa (kg/cm ²)	15.7 (160)		15.7 (160)		15.7 (160)		57		

NOTE: * Computed values.

** Number shown in () is when the forkbar width is other than 1020 mm.

*** 1DZ-II: Non-road Mobile Machinery (97/68/EC; Stage II) EPA Non-road Diesel Emissions (40 CFR Part 89; Interim Tier 2).

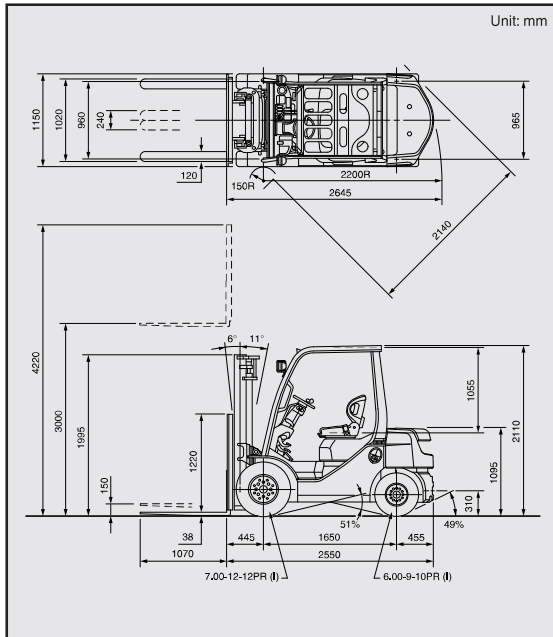
1DZ-III: Non-road Mobile Machinery (97/68/EC; Stage IIIA) EPA Non-road Diesel Emissions (40 CFR Part 1039; Interim Tier 4).

**** 2Z: Non-road Mobile Machinery (97/68/EC; Stage II).

The data in this publication was determined based on our standard testing condition.

Operating performance may vary depending on the actual specification and condition of the vehicle as well as the condition of the operating area.

DIMENSIONAL DRAWINGS



SPECIAL TREAD

Front Tire Single/Dual	Single	Dual	Dual
Front Tire Size	7.00-12-12PR (I)	5.50-15-8PR (I)	7.00-12-12PR (I)
Overall Width	mm 1150	1450	1610
Tread, Front	mm 960	1105	1190

UNDERCLEARANCE mm

Mast (Full Load)	95
Drive Axle (Full Load)	130
Steer Axle (No Load)	160
Center of Wheelbase (Full Load)	140
Counterweight (No Load)	150

RATED CAPACITIES

Unit: kg (W)

V, FV Mast (PN)

A (mm)	4000	4500	5000
500	2000	1950	1850 [1900]
600	1810	1760	1670 [1710]
700	1650	1610	1520 [1570]
800	1520	1480	1400 [1440]
B (mm)	900	1400	1370 [1330]
1000	1310	1270	1210 [1240]
1100	1220	1190	1130 [1160]
1200	1150	1120	1060 [1090]
1300	1080	1060	1000 [1030]

V, FV Mast (PSC)

A (mm)	4500	5000
500	1950	1900
600	1760	1710
700	1610	1570
800	1480	1440
B (mm)	900	1370
1000	1270	1240
1100	1190	1160
1200	1120	1090
1300	1060	1030

[] for dual tire models.

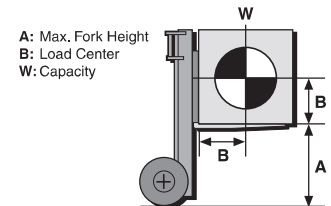
FSV Mast (PN)

A (mm)	3700	4000	4300	4500	4700	5000	5500	6000	6500	7000
500	2000	1950	1900 [1950]	1850 [1900]	1850 [1900]	1450 [1850]	1200 [1800]	850 [1600]	— [1550]	— [1200]
600	1810	1760	1720 [1760]	1670 [1720]	1670 [1720]	1310 [1670]	1080 [1630]	770 [1450]	— [1400]	— [1080]
700	1650	1610	1570 [1610]	1530 [1570]	1530 [1570]	1200 [1530]	990 [1490]	700 [1320]	— [1280]	— [990]
800	1520	1490	1450 [1490]	1410 [1450]	1410 [1450]	1100 [1410]	910 [1370]	650 [1220]	— [1180]	— [910]
B (mm)	900	1410	1380 [1380]	1340 [1340]	1310 [1340]	1020 [1310]	850 [1270]	600 [1130]	— [1090]	— [850]
1000	1320	1280	1250 [1280]	1220 [1250]	1220 [1250]	950 [1220]	790 [1180]	560 [1050]	— [1020]	— [790]
1100	1230	1200	1170 [1200]	1140 [1170]	1140 [1170]	890 [1140]	740 [1110]	520 [990]	— [950]	— [740]
1200	1160	1130	1100 [1130]	1070 [1100]	1070 [1100]	840 [1070]	690 [1040]	490 [930]	— [900]	— [690]
1300	1090	1070	1040 [1070]	1010 [1040]	1010 [1040]	790 [1010]	650 [980]	460 [870]	— [850]	— [650]

[] for dual tire models (PN or PSC).

FSV Mast (PSC)

A (mm)	5000	5500	6000
500	1600	1350	1000
600	1450	1220	900
700	1320	1120	820
800	1220	1030	760
B (mm)	900	950	700
1000	1050	890	660
1100	990	830	610
1200	930	780	580
1300	870	740	540



MAST SPECIFICATIONS & RATED CAPACITIES

Mast Type	Maximum Fork Height	Overall Height				Free Lift		Single Tire				Dual Tire			
		Lowered	Extended		Without Load Backrest	With Standard Load Backrest	Tilt Range		Load Capacity at 500 mm LC		Tilt Range		Load Capacity at 500 mm LC		
			Without Load Backrest	With Standard Load Backrest			FWD	BWD	Pneumatic Tire	Pneumatic-Shaped Cushion Tire	FWD	BWD			
														deg	deg
Wide Visible Mast (V)	2700	1845	3370*	3920	145	145	6	11	2000	2000	6	11	2000		
	3000	1995	3670*	4220	145	145	6	11	2000	2000	6	11	2000		
	3300	2145	3970*	4520	145	145	6	11	2000	2000	6	11	2000		
	3500	2245	4170*	4720	145	145	6	11	2000	2000	6	11	2000		
	3700	2405	4370*	4920	145	145	6	11	2000	2000	6	11	2000		
	4000	2595	4670*	5220	145	145	6	11	2000	2000	6	11	2000		
	4500	2845	5170*	5720	145	145	6	6	1950	1950	6	11	1950		
5000	3095	5670*	6220	145	145	6	6	1850	1900	6	6	1900			
Wide Visible Full-Free Lift Two-Stage Mast (FV)	3000	1995	3605	4220	1390	775	6	11	2000	2000	6	11	2000		
	3300	2145	3905	4520	1540	925	6	11	2000	2000	6	11	2000		
	3500	2245	4105	4720	1640	1025	6	11	2000	2000	6	11	2000		
	3700	2405	4305	4920	1800	1185	6	11	2000	2000	6	11	2000		
	4000	2595	4605	5220	1990	1375	6	11	2000	2000	6	11	2000		
Wide Visible Full-Free Lift Three-Stage Mast (FSV)	3700	1795	4265	4920	1230	575	6	6	2000	2000	6	6	2000		
	4000	1895	4565	5220	1330	675	6	6	1950	1950	6	6	1950		
	4300	1995	4865	5520	1430	775	6	6	1900	1900	6	6	1950		
	4500	2065	5065	5720	1500	845	6	6	1850	1850	6	6	1900		
	4700	2145	5265	5920	1580	925	6	6	1850	1850	6	6	1900		
	5000	2245	5565	6220	1680	1025	6	6	1450	1600	6	6	1850		
	5500	2405	6065	6720	1840	1185	6	6	1200	1350	6	6	1800		
	6000	2595	6565	7220	2030	1375	6	6	850	1000	6	6	1600		
	6500	2845	7065	7720	2280	1625	—	—	—	—	6	6	1550		
	7000	3095	7565	8220	2530	1875	—	—	—	—	6	6	1200		

NOTE: Height of standard load backrest is 1220 mm.
* with A4 piping, minus 15 mm.

2,500 kg

MAIN VEHICLE SPECIFICATIONS

Characteristics	1	Manufacturer			TOYOTA	TOYOTA	1	
	2	Model			32-8FGK25	62-8FDK25	2	
	3	Load Capacity	kg		2500	2500	3	
	4	Load Center	mm		500	500	4	
	5	Power Type			Gasoline	Diesel	5	
	6	Operator Position			Rider Seated	Rider Seated	6	
	7	Tire Type	Front/Rear		Pneumatic	Pneumatic	7	
	8	Wheels (x = driven)	Front/Rear		2x/2	2x/2	8	
Dimensions	9	Maximum Fork Height (MFH)		mm	3000	3000	9	
	10	Free Lift		mm	130	130	10	
	13	Fork Size	T x W x L	mm	42x120x1070	42x120x1070	13	
		Fork Spread (Outside)	MAX./MIN.	mm	1020/240	1020/240		
	14	Tilt Range	FWD/BWD	deg	7/10	7/10	14	
	15	Length to Fork Face		mm	2420	2420	15	
	16	Overall Width		mm	1155	1155	16	
	17	Mast Lowered Height		mm	1975	1975	17	
	18	Mast Extended Height		mm	4220	4220	18	
	19	Overhead Guard Height		mm	2085	2085	19	
	21	Turning Radius (Outside)		mm	2090	2090	21	
		Load Distance (Centerline of front axle to front face of forks)		mm	425 (430) **	425 (430) **	22	
		Rear Overhang		mm	510	510		
	23	Basic Right Angle Stacking Aisle Width (Add load length and clearance)		mm	2515	2515	23	
	Performance	24	Travel, Max. (FWD/RVS)	Full Load	km/h	17.0/17.0	17.0/17.0	24
No Load				km/h	17.5/17.5	17.5/17.5		
Lifting			Full Load	mm/sec	600	580	25	
			No Load	mm/sec	640	600		
26		Lowering	Full Load	mm/sec	500	500	26	
			No Load	mm/sec	500	500		
28		Max. Drawbar Pull		Full Load	N (kg)	18800 (1920)	19500 (1990)	28
			No Load	N (kg)	6800 (690)	7300 (740)		
	Max. Drawbar Pull at 1.5km/h *		Full Load	N (kg)	17200 (1750)	17500 (1780)		
29	Gradeability at 1.5 km/h *		Full Load	% (tanθ)	29	28	29	
30	Max. Gradeability *		Full Load	% (tanθ)	32	32	30	
			No Load	% (tanθ)	16	16		
Weight	32	Total Weight		kg	3550	3610	32	
	33	Weight Distribution	Full Load	Front	kg	5240	5230	33
				Rear	kg	810	880	
	34		No Load	Front	kg	1100	1090	34
Rear				kg	2450	2520		
Wheels and Tires	35			Number	Front/Rear	2/2	35	
	36	Tires		Front		21x8-9-14PR (I)	21x8-9-14PR (I)	36
				Rear		18x7-8-10PR (I)	18x7-8-10PR (I)	
	37			Size			37	
	38	Wheelbase		mm	1485	1485	38	
	39	Tread		Front	mm	960	960	39
				Rear	mm	940	940	
		Backrest Height		mm	1220	1220		
		Overhead Guard Clearance		mm	1055	1055		
		Counterweight Height		mm	1215	1215		
	Drawbar Pin Center Height		mm	285	285			
	Step Height/Floor Height		mm	380/615	380/615			
40	Underclearance (Full Load)	Min. <Mast>	mm	80	80	40		
41			Center of Wheelbase	mm	105	105	41	
	Grade Clearance	Frame/Counterweight	% (tanθ)	40/35	40/35			
42	Brake		Service (Foot)		Hydraulic	Hydraulic	42	
43			Parking		Foot	Foot	43	
Drive Unit and Control	45	Battery		Volt/Capacity (5HR)	V/AH	12/27	12/55	45
	49			Make/Model		TOYOTA/4Y	TOYOTA/1DZ-II ***	49
	50			Rated Power/r.p.m.	kW (JIS ps)	40/2400 (54/2400)	40/2400 (55/2400)	50
	51			Rated Torque/r.p.m.	N-m (JIS kg-m)	162/1800 (16.5/1800)	167/1600 (17.0/1600)	51
	52			Number of Cylinder		4	4	52
				Piston Displacement	cc	2237	2486	
				Fuel Tank Capacity	liter	55	55	
55	Transmission		Type		Powershift	Powershift	55	
			Stage	FWD/RVS	1/1	1/1		
57	Operating Pressure		For Attachments	Mpa (kg/cm ²)	15.7 (160)	15.7 (160)	57	

NOTE: * Computed values.

** Number shown in () is when the forkbar width is other than 1020 mm.

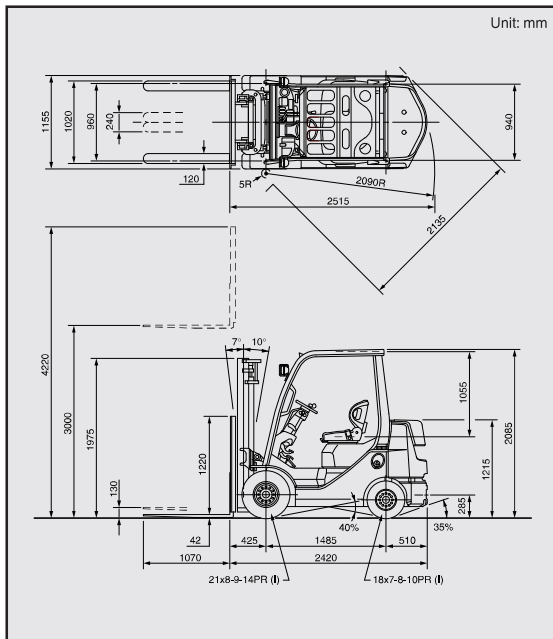
***1DZ-II: Non-road Mobile Machinery (97/68/EC; Stage II) EPA Non-road Diesel Emissions (40 CFR Part 89; Interim Tier 2).

The data in this publication was determined based on our standard testing condition.

Operating performance may vary depending on the actual specification and condition of the vehicle as well as the condition of the operating area.

8FGK/8FDK25

DIMENSIONAL DRAWINGS



UNDERCLEARANCE mm

Mast (Full Load).....	80
Drive Axle (Full Load).....	85
Steer Axle (No Load).....	130
Center of Wheelbase (Full Load).....	105
Counterweight (No Load).....	125

RATED CAPACITIES

Unit: kg (W)

V, FV Mast (PN)

A (mm)	4000	4500	5000
500	2500	2150	1700
600	2260	1940	1530
700	2060	1770	1400
800	1900	1630	1290
900	1750	1510	1190
1000	1630	1400	1110
1100	1530	1310	1040
1200	1430	1230	970

V, FV Mast (PSC)

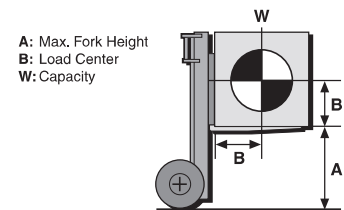
A (mm)	4000	4500	5000
500	2500	2300	1850
600	2260	2080	1670
700	2060	1900	1520
800	1900	1740	1400
900	1750	1610	1300
1000	1630	1500	1210
1100	1530	1400	1130
1200	1430	1320	1060

FSV Mast (PN)

A (mm)	4000	4300	4500	4700	5000	5500	6000
500	2500	2300	2000	2000	1500	1250	850
600	2260	2080	1810	1810	1350	1130	770
700	2070	1900	1650	1650	1240	1030	700
800	1900	1750	1520	1520	1140	950	640
900	1770	1620	1410	1410	1060	880	600
1000	1640	1510	1310	1310	980	820	560
1100	1540	1420	1230	1230	920	770	520
1200	1450	1330	1160	1160	870	720	490

FSV Mast (PSC)

A (mm)	4000	4300	4500	4700	5000	5500	6000
500	2500	2450	2150	2150	1650	1400	1000
600	2260	2220	1940	1940	1490	1260	900
700	2070	2030	1780	1780	1360	1160	820
800	1900	1870	1640	1640	1260	1060	760
900	1770	1730	1520	1520	1160	990	700
1000	1640	1610	1410	1410	1080	920	650
1100	1540	1510	1320	1320	1010	860	610
1200	1450	1420	1240	1240	950	810	580



MAST SPECIFICATIONS & RATED CAPACITIES

Mast Type	Maximum Fork Height	Overall Height			Free Lift		Single Tire			
		Lowered	Extended		Without Load Backrest	With Standard Load Backrest	Tilt Range		Load Capacity at 500 mm LC	
			Without Load Backrest	With Standard Load Backrest			FWD	BWD	Pneumatic Tire	Pneumatic-Shaped Cushion Tire
mm	mm	mm	mm	mm	mm	deg	deg	kg	kg	
Wide Visible Mast (V)	2700	1825	3375	3920	125	125	7	10	2500	2500
	3000	1975	3675	4220	125	125	7	10	2500	2500
	3300	2125	3975	4520	125	125	7	10	2500	2500
	3500	2225	4175	4720	125	125	7	10	2500	2500
	3700	2385	4375	4920	125	125	7	10	2500	2500
	4000	2575	4675	5220	125	125	7	5	2500	2500
	4500	2825	5175	5720	125	125	7	5	2150	2300
5000	3075	5675	6220	125	125	7	5	1700	1850	
Wide Visible Full-Free Lift Two-Stage Mast (FV)	3000	1975	3610	4220	1370	765	7	10	2500	2500
	3300	2125	3910	4520	1520	915	7	10	2500	2500
	3500	2225	4110	4720	1620	1015	7	10	2500	2500
	3700	2385	4310	4920	1780	1175	7	10	2500	2500
	4000	2575	4610	5220	1970	1365	7	5	2500	2500
Wide Visible Full-Free Lift Three-Stage Mast (FSV)	3700	1775	4350	4920	1130	565	7	5	2500	2500
	4000	1875	4650	5220	1230	665	7	5	2500	2500
	4300	1975	4950	5520	1330	765	7	5	2300	2450
	4500	2045	5150	5720	1400	835	7	5	2000	2150
	4700	2125	5350	5920	1480	915	7	5	2000	2150
	5000	2225	5650	6220	1580	1015	7	5	1500	1650
	5500	2385	6150	6720	1740	1175	7	5	1250	1400
6000	2575	6650	7220	1930	1365	7	5	850	1000	

NOTE: Height of standard load backrest is 1220 mm.

2,500 kg

MAIN VEHICLE SPECIFICATIONS

1	Manufacturer		TOYOTA		TOYOTA		TOYOTA		1			
			30-8FG25	32-8FG25	60-8FD25	62-8FD25	70-8FD25	72-8FD25				
Characteristics	2	Model								2		
	3	Load Capacity		kg		2500		2500		3		
	4	Load Center		mm		500		500		4		
	5	Power Type		Gasoline		Diesel		Diesel		5		
	6	Operator Position		Rider Seated		Rider Seated		Rider Seated		6		
	7	Tire Type		Front/Rear		Pneumatic		Pneumatic		7		
	8	Wheels (x = driven)		Front/Rear		2x/2		2x/2		8		
	Dimensions	9	Maximum Fork Height (MFH)		mm		3000		3000		9	
10		Free Lift		mm		155		155		10		
13		Fork Size		T x W x L		mm		42x120x1070		13		
13		Fork Spread (Outside)		MAX./MIN.		mm		1020/240		13		
14		Tilt Range		FWD/BWD		deg		6/11		14		
15		Length to Fork Face		mm		2620		2620		15		
16		Overall Width		mm		1150		1150		16		
17		Mast Lowered Height		mm		1995		1995		17		
18		Mast Extended Height		mm		4220		4220		18		
19		Overhead Guard Height		mm		2110		2110		19		
21		Turning Radius (Outside)		mm		2280		2280		21		
22		Load Distance (Centerline of front axle to front face of forks)		mm		450 (455) **		450 (455) **		22		
		Rear Overhang		mm		520		520				
23		Basic Right Angle Stacking Aisle Width (Add load length and clearance)		mm		2730		2730		23		
Performance		24	Travel, Max. (FWD/RVS)	Full Load	km/h	18.0/18.0	17.5/17.5	19.5/19.5	19.0/19.0	19.0/19.0	24	
	No Load			km/h	18.5/18.5	18.0/18.0	20.0/20.0	19.5/19.5	19.5/19.5	24		
	Lifting		Full Load	mm/sec	600	600	615	615	650	650	25	
			No Load	mm/sec	640	640	655	655	675	675	25	
	26	Lowering	Full Load	mm/sec	500	500	500	500	500	500	26	
			No Load	mm/sec	500	500	500	500	500	500	26	
	28	Max. Drawbar Pull		Full Load	N (kg)	16500 (1680)	18500 (1890)	17500 (1780)	19000 (1940)	19500 (1990)	20000 (2040)	28
	Max. Drawbar Pull at 1.5km/h *		Full Load	N (kg)	—	17000 (1730)	—	17200 (1750)	—	17500 (1780)		
29	Gradeability at 1.5 km/h *		Full Load	% (tanθ)	—	30	—	31	—	29		
30	Max. Gradeability *		Full Load	% (tanθ)	28	34	28	34	33	32		
			No Load	% (tanθ)	19	19	19	19	19	19		
Weight	32	Total Weight		kg	3560		3600		3650		32	
	33	Weight Distribution	Full Load	Front	kg	5280		5300		5320		33
				Rear	kg	780		800		830		
	34		No Load	Front	kg	1300		1320		1340		34
Rear				kg	2260		2280		2310			
Wheels and Tires	35	Tires		Number	Front/Rear	2/2		2/2		2/2		35
	36	Size	Front		7.00-12-12PR (I)		7.00-12-12PR (I)		7.00-12-12PR (I)		36	
			Rear		6.00-9-10PR (I)		6.00-9-10PR (I)		6.00-9-10PR (I)			
	37	Wheelbase		mm	1650		1650		1650		37	
	39	Tread	Front	mm	960		960		960		39	
			Rear	mm	965		965		965			
		Backrest Height		mm	1220		1220		1220			
		Overhead Guard Clearance		mm	1055		1055		1055			
		Counterweight Height		mm	1090		1090		1090			
		Drawbar Pin Center Height		mm	310		310		310			
	Step Height/Floor Height		mm	435/675		435/675		435/675				
40	Underclearance (Full Load)		Min. <Mast>	mm	95		95		95		40	
41	Center of Wheelbase			mm	140		140		140		41	
	Grade Clearance		Frame/Counterweight	% (tanθ)	51/41		51/41		51/41			
42	Brake		Service (Foot)		Hydraulic		Hydraulic		Hydraulic		42	
43	Parking				Hand	Foot	Hand	Foot	Hand	Foot	43	
Drive Unit and Control	45	Battery		Voltage/Capacity (5HR)	V/AH	12/27		12/55		12/64		45
	49	Make/Model				TOYOTA/4Y		TOYOTA/1DZ-II [1DZ-III] ***		TOYOTA/2Z ****		49
	50	Rated Power/r.p.m.		kW (JIS ps)		40/2400 (54/2400)		44 (60)/2600 [41 (55)/2500]		49/2200 (66/2200)		50
	51	Rated Torque/r.p.m.		N-m (JIS kg-m)		162/1800 (16.5/1800)		167 (17.0)/1600 [157 (16.0)/2500]		216/1600 (22.0/1600)		51
	52	Number of Cylinder				4		4		4		52
		Piston Displacement		cc		2237		2486		3469		
		Fuel Tank Capacity		liter		60		60		60		
55	Transmission		Type		Manual	Powershift	Manual	Powershift	Manual	Powershift	55	
	Stage		FWD/RVS		2/2	1/1	2/2	1/1	2/2	1/1		
57	Operating Pressure		For Attachments	Mpa (kg/cm ²)	15.7 (160)		15.7 (160)		15.7 (160)		57	

NOTE: * Computed values.

** Number shown in () is when the forkbar width is other than 1020 mm.

*** 1DZ-II: Non-road Mobile Machinery (97/68/EC; Stage II) EPA Non-road Diesel Emissions (40 CFR Part 89; Interim Tier 2).

1DZ-III: Non-road Mobile Machinery (97/68/EC; Stage IIIA) EPA Non-road Diesel Emissions (40 CFR Part 1039; Interim Tier 4).

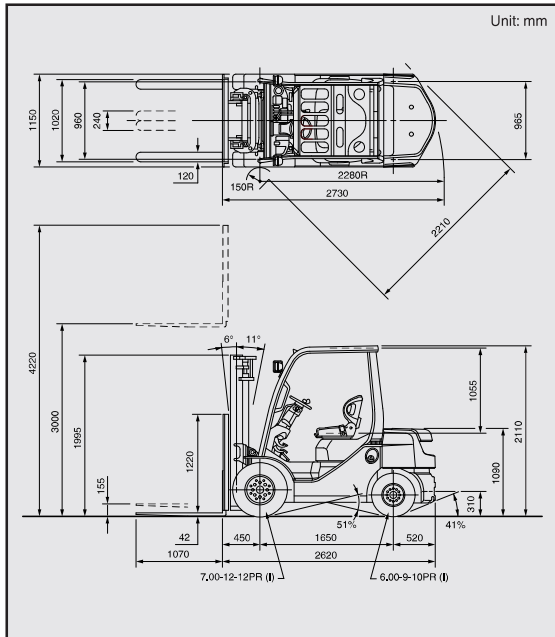
**** 2Z: Non-road Mobile Machinery (97/68/EC; Stage II).

The data in this publication was determined based on our standard testing condition.

Operating performance may vary depending on the actual specification and condition of the vehicle as well as the condition of the operating area.

8FG/8FD25

DIMENSIONAL DRAWINGS



SPECIAL TREAD

Front Tire Single/Dual	Single	Dual	Dual
Front Tire Size	7.00-12-12PR (I)	5.50-15-8PR (I)	7.00-12-12PR (I)
Overall Width	mm 1150	1450	1610
Tread, Front	mm 960	1105	1190

UNDERCLEARANCE mm

Mast (Full Load)	95
Drive Axle (Full Load)	130
Steer Axle (No Load)	160
Center of Wheelbase (Full Load)	140
Counterweight (No Load)	150

RATED CAPACITIES

Unit: kg (W)

V, FV Mast (PN)

A (mm)	4000	4500	5000
500	2500	2150 [2450]	1700 [2400]
600	2260	1940 [2210]	1540 [2170]
700	2070	1780 [2020]	1400 [1980]
800	1900	1640 [1860]	1290 [1830]
B (mm)	900	1760	1510 [1730]
1000	1640	1410 [1610]	1110 [1580]
1100	1540	1320 [1510]	1040 [1470]
1200	1440	1240 [1410]	980 [1390]
1300	1360	1170 [1330]	920 [1310]

[] for dual tire models.

V, FV Mast (PSC)

A (mm)	4000	4500	5000
500	2500	2300 [2450]	1850 [2400]
600	2260	1940 [2210]	1540 [2170]
700	2070	1780 [2020]	1400 [1980]
800	1900	1640 [1860]	1290 [1830]
B (mm)	900	1760	1510 [1730]
1000	1640	1410 [1610]	1110 [1580]
1100	1540	1320 [1510]	1040 [1470]
1200	1440	1240 [1410]	980 [1390]
1300	1360	1170 [1330]	920 [1310]

[] for dual tire models.

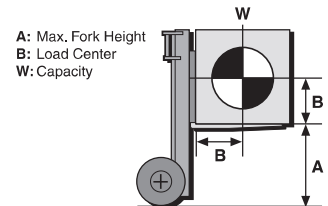
FSV Mast (PN)

A (mm)	4000	4300	4500	4700	5000	5500	6000	6500	7000
500	2500	2300 [2500]	2000 [2450]	2000 [2450]	1500 [2400]	1250 [2050]	900 [1700]	—	1200 [1200]
600	2260	2080 [2260]	1810 [2220]	1810 [2220]	1360 [2170]	1130 [1860]	810 [1540]	—	1080 [1080]
700	2070	1910 [2070]	1660 [2030]	1660 [2030]	1240 [1990]	1030 [1700]	740 [1410]	—	990 [990]
800	1910	1760 [1910]	1530 [1870]	1530 [1870]	1140 [1830]	950 [1560]	680 [1300]	—	910 [910]
B (mm)	900	1770	1630 [1770]	1420 [1730]	1420 [1730]	1060 [1700]	880 [1450]	630 [1200]	850 [850]
1000	1650	1520 [1650]	1320 [1620]	1320 [1620]	990 [1620]	820 [1350]	590 [1120]	—	790 [790]
1100	1550	1420 [1550]	1240 [1510]	1240 [1510]	930 [1480]	770 [1270]	550 [1050]	—	740 [740]
1200	1450	1340 [1450]	1180 [1420]	1180 [1420]	870 [1400]	720 [1190]	520 [990]	—	700 [700]
1300	1370	1260 [1370]	1100 [1340]	1100 [1340]	820 [1320]	680 [1120]	490 [930]	—	660 [660]

[] for dual tire models (PN or PSC).

FSV Mast (PSC)

A (mm)	5000	5500	6000
500	1650	1400	1050
600	1490	1270	950
700	1370	1160	870
800	1260	1070	800
B (mm)	900	1170	990
1000	1090	920	690
1100	1020	860	650
1200	960	810	610
1300	900	770	570



MAST SPECIFICATIONS & RATED CAPACITIES

Mast Type	Maximum Fork Height	Overall Height			Free Lift		Single Tire				Dual Tire		
		Lowered	Extended		Without Load Backrest	With Standard Load Backrest	Tilt Range		Load Capacity at 500 mm LC		Tilt Range		Load Capacity at 500 mm LC
			Without Load Backrest	With Standard Load Backrest			FWD	BWD	Pneumatic Tire	Pneumatic-Shaped Cushion Tire	FWD	BWD	
		mm	mm	mm	mm	mm	mm	deg	deg	kg	kg	deg	deg
Wide Visible Mast (V)	2700	1845	3370*	3920	150	150	6	11	2500	2500	6	11	2500
	3000	1995	3670*	4220	150	150	6	11	2500	2500	6	11	2500
	3300	2145	3970*	4520	150	150	6	11	2500	2500	6	11	2500
	3500	2245	4170*	4720	150	150	6	11	2500	2500	6	11	2500
	3700	2405	4370*	4920	150	150	6	11	2500	2500	6	11	2500
	4000	2595	4670*	5220	150	150	6	9	2500	2500	6	11	2500
	4500	2845	5170*	5720	150	150	6	6	2150	2300	6	11	2450
5000	3095	5670*	6220	150	150	6	6	1700	1850	6	6	2400	
Wide Visible Full-Free Lift Two-Stage Mast (FV)	3000	1995	3605	4220	1400	780	6	11	2500	2500	6	11	2500
	3300	2145	3905	4520	1550	930	6	11	2500	2500	6	11	2500
	3500	2245	4105	4720	1650	1030	6	11	2500	2500	6	11	2500
	3700	2405	4305	4920	1810	1190	6	11	2500	2500	6	11	2500
	4000	2595	4605	5220	2000	1380	6	9	2500	2500	6	11	2500
Wide Visible Full-Free Lift Three-Stage Mast (FSV)	3700	1795	4265	4920	1235	580	6	6	2500	2500	6	6	2500
	4000	1895	4565	5220	1335	680	6	6	2500	2500	6	6	2500
	4300	1995	4865	5520	1435	780	6	6	2300	2300	6	6	2500
	4500	2065	5065	5720	1505	850	6	6	2000	2000	6	6	2450
	4700	2145	5265	5920	1585	930	6	6	2000	2000	6	6	2450
	5000	2245	5565	6220	1685	1030	6	6	1500	1650	6	6	2400
	5500	2405	6065	6720	1845	1190	6	6	1250	1400	6	6	2050
	6000	2595	6565	7220	2035	1380	6	6	900	1050	6	6	1700
	6500	2845	7065	7720	2285	1630	—	—	—	—	6	6	1550
	7000	3095	7565	8220	2535	1880	—	—	—	—	6	6	1200

NOTE: Height of standard load backrest is 1220 mm.
* with A4 piping, minus 15 mm.

3,000 kg

MAIN VEHICLE SPECIFICATIONS

Characteristics	1	Manufacturer			TOYOTA	TOYOTA	1		
	2	Model			32-8FGK30	62-8FDK30	2		
	3	Load Capacity	kg		3000	3000	3		
	4	Load Center	mm		500	500	4		
	5	Power Type			Gasoline	Diesel	5		
	6	Operator Position			Rider Seated	Rider Seated	6		
	7	Tire Type	Front/Rear		Pneumatic	Pneumatic	7		
	8	Wheels (x = driven)	Front/Rear		2x/2	2x/2	8		
Dimensions	9	Maximum Fork Height (MFH)		mm	3000	3000	9		
	10	Free Lift		mm	135	135	10		
	13	Fork Size	T x W x L	mm	45x120x1070	45x120x1070	13		
		Fork Spread (Outside)	MAX./MIN.	mm	1020/240	1020/240			
	14	Tilt Range	FWD/BWD	deg	6/11	6/11	14		
	15	Length to Fork Face		mm	2505	2505	15		
	16	Overall Width		mm	1255	1255	16		
	17	Mast Lowered Height		mm	1980	1980	17		
	18	Mast Extended Height		mm	4220	4220	18		
	19	Overhead Guard Height		mm	2085	2085	19		
	21	Turning Radius (Outside)		mm	2130	2130	21		
		Load Distance (Centerline of front axle to front face of forks)		mm	460	460	22		
		Rear Overhang		mm	560	560			
	23	Basic Right Angle Stacking Aisle Width (Add load length and clearance)		mm	2590	2590	23		
	Performance	24	Travel, Max. (FWD/RVS)	Full Load	km/h	18.5/18.5	18.5/18.5	24	
No Load				km/h	19.0/19.5	19.0/19.0			
Lifting			Full Load	mm/sec	490	500	25		
			No Load	mm/sec	530	530			
26		Lowering	Full Load	mm/sec	500	500	26		
			No Load	mm/sec	500	500			
28		Max. Drawbar Pull		Full Load	N (kg)	17000 (1730)	17500 (1780)	28	
	Max. Drawbar Pull at 1.5km/h *		No Load	N (kg)	7300 (740)	7300 (740)			
29	Gradeability at 1.5 km/h *		Full Load	% (tanθ)	24	24	29		
30	Max. Gradeability *		Full Load	% (tanθ)	24	24	30		
			No Load	% (tanθ)	14	14			
Weight	32		Total Weight		kg	4150	4200	32	
	33	Weight Distribution	Full Load	Front	kg	6240	6330	33	
				Rear	kg	910	870		
	34	No Load	Front	kg	1200	1290	34		
Rear			kg	2950	2910				
Wheels and Tires	35	35		Number	Front/Rear	2/2	2/2	35	
	36	Tires	Size	Front		23x9-10-16PR (I)	23x9-10-16PR (I)	36	
				Rear		18x7-8-16PR (I)	18x7-8-16PR (I)		
	37	37		Wheelbase		mm	1485	1485	37
	39	Tread		Front	mm	1030	1030	39	
				Rear	mm	940	940		
	38		Backrest Height		mm	1220	1220		
	39		Overhead Guard Clearance		mm	1055	1055		
	40		Counterweight Height		mm	1215	1215		
	41		Drawbar Pin Center Height		mm	285	285		
42		Step Height/Floor Height		mm	400/640	400/640			
40	Underclearance (Full Load)	Min. <Mast>		mm	80	80	40		
		Center of Wheelbase		mm	110	110			
41	Grade Clearance	Frame/Counterweight	% (tanθ)	45/33	45/33				
42	Brake	Service (Foot)			Hydraulic	Hydraulic	42		
		Parking			Foot	Foot			
43	Battery	Voltage/Capacity (5HR)		V/AH	12/27	12/55	43		
Drive Unit and Control	49	49		Make/Model	TOYOTA/4Y	TOYOTA/1DZ-II **	49		
	50	Internal Combustion Engine	Rated Power/r.p.m.		kW (JIS ps)	40/2400 (54/2400)	40/2400 (55/2400)	50	
			Rated Torque/r.p.m.		N-m (JIS kg-m)	162/1800 (16.5/1800)	167/1600 (17.0/1600)	51	
			Number of Cylinder			4	4		
			Piston Displacement		cc	2237	2486	52	
	52	Fuel Tank Capacity			liter	55	55	52	
55			Transmission		Type	Powershift	Powershift		
55	Stage	FWD/RVS			1/1	1/1	55		
		57		Operating Pressure		For Attachments		Mpa (kg/cm ²)	15.7 (160)

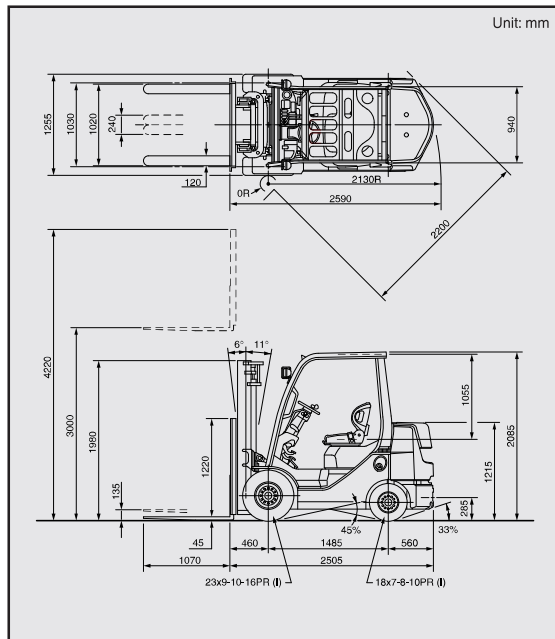
NOTE: * Computed values.

** 1DZ-II: Non-road Mobile Machinery (97/68/EC; Stage II) EPA Non-road Diesel Emissions (40 CFR Part 89; Interim Tier 2).

The data in this publication was determined based on our standard testing condition. Operating performance may vary depending on the actual specification and condition of the vehicle as well as the condition of the operating area.

8FGK/8FDK30

DIMENSIONAL DRAWINGS



UNDERCLEARANCE mm

Mast (Full Load).....	80
Drive Axle (Full Load).....	90
Steer Axle (No Load).....	130
Center of Wheelbase (Full Load).....	110
Counterweight (No Load).....	125

RATED CAPACITIES

Unit: kg (W)

V, FV Mast (PN)

A (mm)	4500	5000
500	3000	2600
600	2720	2350
700	2480	2150
800	2290	1980
900	2120	1840
1000	1980	1710
1100	1850	1600
1200	1740	1510

V, FV Mast (PSC)

A (mm)	4500	5000
500	3000	2750
600	2720	2490
700	2480	2280
800	2290	2100
900	2120	1950
1000	1980	1810
1100	1850	1700
1200	1740	1600

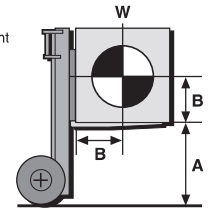
FSV Mast (PN)

A (mm)	4000	4300	4500	4700	5000	5500	6000
500	3000	2900	2800	2800	2400	1700	1200
600	2720	2630	2540	2540	2170	1540	1080
700	2490	2410	2320	2320	1990	1410	990
800	2300	2220	2140	2140	1840	1300	920
900	2130	2060	1990	1990	1700	1210	850
1000	1990	1920	1860	1860	1590	1120	790
1100	1860	1800	1740	1740	1490	1050	740
1200	1750	1690	1640	1640	1400	990	700

FSV Mast (PSC)

A (mm)	4300	4500	4700	5000	5500	6000
500	3000	2850	2850	2550	1850	1350
600	2720	2580	2580	2310	1680	1220
700	2490	2370	2370	2120	1530	1120
800	2300	2180	2180	1950	1410	1030
900	2130	2020	2020	1810	1310	960
1000	1990	1890	1890	1690	1220	890
1100	1860	1770	1770	1580	1150	840
1200	1750	1660	1660	1490	1080	790

A: Max. Fork Height
B: Load Center
W: Capacity



MAST SPECIFICATIONS & RATED CAPACITIES

Mast Type	Maximum Fork Height	Overall Height			Free Lift		Single Tire			
		Lowered	Extended		Without Load Backrest	With Standard Load Backrest	Tilt Range		Load Capacity at 500 mm LC	
			Without Load Backrest	With Standard Load Backrest			FWD	BWD	Pneumatic Tire	Pneumatic-Shaped Cushion Tire
mm	mm	mm	mm	mm	mm	deg	deg	kg	kg	
Wide Visible Mast (V)	2700	1830	3405*	3920	135	135	6	11	3000	3000
	3000	1980	3705*	4220	135	135	6	11	3000	3000
	3300	2130	4005*	4520	135	135	6	11	3000	3000
	3500	2230	4205*	4720	135	135	6	11	3000	3000
	3700	2390	4405*	4920	135	135	6	11	3000	3000
	4000	2580	4705*	5220	135	135	6	11	3000	3000
	4500	2830	5205*	5720	135	135	6	6	3000	3000
5000	3080	5705*	6220	135	135	6	6	2600	2750	
Wide Visible Full-Free Lift Two-Stage Mast (FV)	3000	1980	3585	4220	1400	760	6	11	3000	3000
	3300	2130	3885	4520	1550	955	6	11	3000	3000
	3500	2230	4085	4720	1650	1055	6	11	3000	3000
	3700	2390	4285	4920	1810	1215	6	11	3000	3000
	4000	2580	4585	5220	2000	1405	6	11	3000	3000
Wide Visible Full-Free Lift Three-Stage Mast (FSV)	3700	1880	4285	4920	1300	660	6	6	3000	3000
	4000	1980	4585	5220	1400	760	6	6	3000	3000
	4300	2130	4885	5520	1550	910	6	6	2900	3000
	4500	2180	5085	5720	1600	960	6	6	2800	2850
	4700	2230	5285	5920	1650	1010	6	6	2800	2850
	5000	2390	5585	6220	1810	1170	6	6	2400	2550
	5500	2580	6085	6720	2000	1360	6	6	1700	1850
6000	2830	6585	7220	2250	1610	6	6	1200	1350	

NOTE: Height of standard load backrest is 1220 mm.
* with A4 pipping, minus 20 mm.

3,000 kg

MAIN VEHICLE SPECIFICATIONS

Characteristics				TOYOTA		TOYOTA		TOYOTA			
				30-8FG30	32-8FG30	60-8FD30	62-8FD30	70-8FD30	72-8FD30		
1	Manufacturer			TOYOTA		TOYOTA		TOYOTA		1	
2	Model			30-8FG30	32-8FG30	60-8FD30	62-8FD30	70-8FD30	72-8FD30	2	
3	Load Capacity	kg		3000		3000		3000		3	
4	Load Center	mm		500		500		500		4	
5	Power Type			Gasoline		Diesel		Diesel		5	
6	Operator Position			Rider Seated		Rider Seated		Rider Seated		6	
7	Tire Type	Front/Rear		Pneumatic		Pneumatic		Pneumatic		7	
8	Wheels (x = driven)	Front/Rear		2x/2		2x/2		2x/2		8	
9	Maximum Fork Height (MFH)	mm		3000		3000		3000		9	
10	Free Lift	mm		135		135		135		10	
13	Fork Size	T x W x L	mm	45x120x1070		45x120x1070		45x120x1070		13	
	Fork Spread (Outside)	MAX./MIN.	mm	1070/240		1070/240		1070/240			
14	Tilt Range	FWD/BWD	deg	6/11		6/11		6/11		14	
15	Length to Fork Face	mm		2775		2775		2775		15	
16	Overall Width	mm		1240		1240		1240		16	
17	Mast Lowered Height	mm		2015		2015		2015		17	
18	Mast Extended Height	mm		4220		4220		4220		18	
19	Overhead Guard Height	mm		2170		2170		2170		19	
21	Turning Radius (Outside)	mm		2430		2430		2430		21	
22	Load Distance (Centerline of front axle to front face of forks)	mm		485		485		485		22	
	Rear Overhang	mm		595		595		595			
23	Basic Right Angle Stacking Aisle Width (Add load length and clearance)	mm		2915		2915		2915		23	
24	Speeds	Travel, Max. (FWD/RVS)	Full Load	km/h	18.5/18.5	18.5/18.5	19.5/19.5	17.5/17.5	19.5/19.5	18.5/18.5	24
			No Load	km/h	19.0/19.0	19.0/19.0	20.0/20.0	18.0/18.0	20.0/20.0	19.0/19.0	
		Lifting	Full Load	mm/sec	510	510	500	500	550	550	25
			No Load	mm/sec	550	550	530	530	570	570	
26	Lowering	Full Load	mm/sec	500	500	500	500	500	500	26	
		No Load	mm/sec	500	550	500	500	500	500		
28	Max. Drawbar Pull	Full Load	N (kg)	16800 (1710)	18000 (1840)	16700 (1700)	19600 (2000)	19700 (2010)	19500 (1990)	28	
		No Load	N (kg)	10300 (1050)	10300 (1050)	10400 (1060)	10400 (1060)	10600 (1080)	10600 (1080)		
	Max. Drawbar Pull at 1.5km/h *	Full Load	N (kg)	—	15300 (1560)	—	17600 (1790)	—	17000 (1730)		
29	Gradeability at 1.5 km/h *	Full Load	% (tanθ)	—	22	—	25	—	24	29	
30	Max. Gradeability *	Full Load	% (tanθ)	23	25	23	28	27	27	30	
		No Load	% (tanθ)	20	20	20	20	20	20		
32	Total Weight	kg		4190		4230		4290		32	
33	Weight Distribution	Full Load	Front	kg	6210	6240	6240	6270	6270	33	
			Rear	kg	980	990	990	1020	1020		
34		No Load	Front	kg	1470	1510	1510	1530	1530	34	
			Rear	kg	2720	2720	2720	2760	2760		
35	Tires	Number	Front/Rear	2/2		2/2		2/2		35	
36		Size	Front	28x9-15-12PR (I)		28x9-15-12PR (I)		28x9-15-12PR (I)		36	
37			Rear	6.5-10-10PR (I)		6.5-10-10PR (I)		6.5-10-10PR (I)		37	
38	Wheelbase	mm		1700		1700		1700		38	
39	Tread	Front	mm	1010		1010		1010		39	
		Rear	mm	965		965		965			
	Backrest Height	mm		1220		1220		1220			
	Overhead Guard Clearance	mm		1055		1055		1055			
	Counterweight Height	mm		1130		1130		1130			
	Drawbar Pin Center Height	mm		335		335		335			
	Step Height/Floor Height	mm		495/730		495/730		495/730			
40	Underclearance (Full Load)	Min. <Mast>	mm	115		115		115		40	
41		Center of Wheelbase	mm	185		185		185		41	
	Grade Clearance	Frame/Counterweight	% (tanθ)	62/49		62/49		62/49			
42	Brake	Service (Foot)		Hydraulic		Hydraulic		Hydraulic		42	
43		Parking			Hand	Foot	Hand	Foot	Hand	Foot	43
45	Battery	Voltage/Capacity (5HR)	V/AH	12/27		12/55		12/64		45	
49	Internal Combustion Engine	Make/Model		TOYOTA/4Y		TOYOTA/1DZ-II [1DZ-III] **		TOYOTA/2Z ***		49	
50		Rated Power/r.p.m.	kW (JIS ps)	43/2600 (58/2600)		44 (60)/2600 [41 (55)/2500]		49/2200 (66/2200)		50	
51		Rated Torque/r.p.m.	N-m (JIS kg-m)	162/1800 (16.5/1800)		167 (17.0)/1600 [157 (16.0)/2500]		216/1600 (22.0/1600)		51	
52		Number of Cylinder		4		4		4			
		Piston Displacement	cc	2237		2486		3469		52	
	Fuel Tank Capacity	liter	60		60		60				
55	Transmission	Type		Manual	Powershift	Manual	Powershift	Manual	Powershift		
		Stage	FWD/RVS		2/2	1/1	2/2	1/1	2/2	1/1	55
57	Operating Pressure	For Attachments	Mpa (kg/cm ²)	15.7 (160)		15.7 (160)		15.7 (160)		57	

NOTE: * Computed values.

** 1DZ-II: Non-road Mobile Machinery (97/68/EC; Stage II) EPA Non-road Diesel Emissions (40 CFR Part 89; Interim Tier 2).

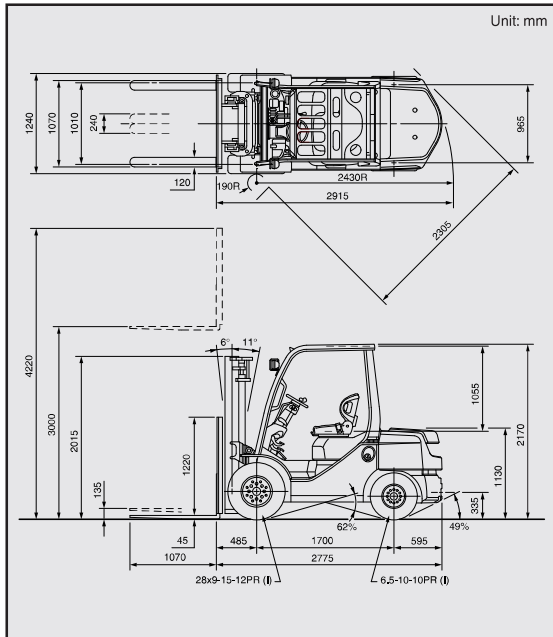
1DZ-III: Non-road Mobile Machinery (97/68/EC; Stage IIIA) EPA Non-road Diesel Emissions (40 CFR Part 1039; Interim Tier 4).

*** 2Z: Non-road Mobile Machinery (97/68/EC; Stage II).

The data in this publication was determined based on our standard testing condition.

Operating performance may vary depending on the actual specification and condition of the vehicle as well as the condition of the operating area.

DIMENSIONAL DRAWINGS



SPECIAL TREAD

Front Tire Single/Dual	Dual	Dual
Front Tire Size	6.00-15-10PR (I)	28x8-15-12PR (I)
Overall Width	mm 1520	mm 1675
Tread, Front	mm 1150	mm 1240

UNDERCLEARANCE mm

Mast (Full Load)	115
Drive Axle (Full Load)	130
Steer Axle (No Load)	180
Center of Wheelbase (Full Load)	185
Counterweight (No Load)	175

RATED CAPACITIES

Unit: kg (W)

V, FV Mast (PN)

A (mm)	4500	5000
500	3000 [3000]	2600 [3000]
600	2720 [2720]	2360 [2720]
700	2500 [2500]	2160 [2500]
800	2310 [2310]	2000 [2310]
B (mm)	1850 [2140]	1730 [2000]
900	2140 [2140]	1620 [1870]
1000	2000 [2000]	1530 [1760]
1100	1870 [1870]	1440 [1670]
1200	1760 [1760]	
1300	1670 [1670]	

V, FV Mast (PSC)

A (mm)	4500	5000
500	3000 [2750]	2750 [3000]
600	2720 [2720]	2500 [2720]
700	2500 [2500]	2290 [2500]
800	2310 [2310]	2110 [2310]
B (mm)	1960 [2140]	1830 [2000]
900	2140 [2140]	1720 [1870]
1000	2000 [2000]	1620 [1760]
1100	1870 [1870]	1530 [1760]
1200	1760 [1760]	
1300	1670 [1670]	

[] for dual tire models.

[] for dual tire models.

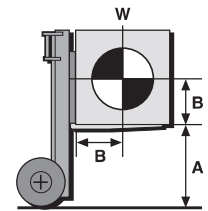
FSV Mast (PN)

A (mm)	4700	5000	5500	6000	6500	7000
500	3000 [2950]	2600 [2950]	1900 [2650]	1500 [2050]	[1600]	[1200]
600	2730 [2680]	2360 [2680]	1730 [2410]	1360 [1860]	[1450]	[1090]
700	2500 [2460]	2170 [2460]	1580 [2210]	1250 [1710]	[1330]	[1000]
800	2310 [2270]	2000 [2270]	1460 [2040]	1150 [1580]	[1230]	[920]
B (mm)	1860 [2110]	1360 [1900]	1070 [1470]	[1140]	[860]	
900	2150 [2110]	1740 [1970]	1270 [1770]	1000 [1370]	[1070]	[800]
1000	2010 [1970]	1630 [1850]	1190 [1660]	940 [1290]	[1000]	[750]
1100	1880 [1850]	1540 [1740]	1120 [1570]	880 [1210]	[940]	[710]
1200	1770 [1740]	1450 [1650]	1060 [1480]	840 [1140]	[890]	[670]
1300	1680 [1650]					

[] for dual tire models (PN or PSC).

FSV Mast (PSC)

A (mm)	4700	5000	5500	6000
500	3000 [2750]	2750 [2050]	2050 [1650]	
600	2730 [2720]	2500 [2680]	1860 [1500]	
700	2500 [2460]	2290 [2410]	1710 [1370]	
800	2310 [2270]	2120 [2210]	1580 [1270]	
B (mm)	2150 [2110]	1970 [1900]	1470 [1180]	
900	2150 [2110]	1840 [1770]	1370 [1100]	
1000	2010 [1970]	1730 [1660]	1290 [1030]	
1100	1880 [1850]	1630 [1570]	1210 [970]	
1200	1770 [1740]	1540 [1480]	1140 [920]	
1300	1680 [1650]			



A: Max. Fork Height
B: Load Center
W: Capacity

MAST SPECIFICATIONS & RATED CAPACITIES

Mast Type	Maximum Fork Height	Overall Height			Free Lift		Single Tire				Dual Tire		
		Lowered	Extended		Without Load Backrest	With Standard Load Backrest	Tilt Range		Load Capacity at 500 mm LC		Tilt Range		Load Capacity at 500 mm LC
			Without Load Backrest	With Standard Load Backrest			FWD	BWD	Pneumatic Tire	Pneumatic-Shaped Cushion Tire	FWD	BWD	
		mm	mm	mm	mm	mm	mm	deg	deg	kg	kg	deg	deg
Wide Visible Mast (V)	2700	1865	3440*	3920	135	135	6	11	3000	3000	6	11	3000
	3000	2015	3740*	4220	135	135	6	11	3000	3000	6	11	3000
	3300	2165	4040*	4520	135	135	6	11	3000	3000	6	11	3000
	3500	2265	4240*	4720	135	135	6	11	3000	3000	6	11	3000
	3700	2425	4440*	4920	135	135	6	11	3000	3000	6	11	3000
	4000	2615	4740*	5220	135	135	6	11	3000	3000	6	11	3000
	4500	2865	5240*	5720	135	135	6	6	3000	3000	6	11	3000
5000	3115	5740*	6220	135	135	6	6	2600	2750	6	6	3000	
Wide Visible Full-Free Lift Two-Stage Mast (FV)	3000	2015	3615	4220	1400	795	6	11	3000	3000	6	11	3000
	3300	2165	3915	4520	1550	945	6	11	3000	3000	6	11	3000
	3500	2265	4115	4720	1650	1045	6	11	3000	3000	6	11	3000
	3700	2425	4315	4920	1810	1205	6	11	3000	3000	6	11	3000
	4000	2615	4615	5220	2000	1395	6	11	3000	3000	6	11	3000
Wide Visible Full-Free Lift Three-Stage Mast (FSV)	3700	1915	4315	4920	1300	695	6	6	3000	3000	6	6	3000
	4000	2015	4615	5220	1400	795	6	6	3000	3000	6	6	3000
	4300	2165	4915	5520	1550	945	6	6	3000	3000	6	6	3000
	4500	2215	5115	5720	1600	995	6	6	3000	3000	6	6	3000
	4700	2265	5315	5920	1650	1045	6	6	3000	3000	6	6	3000
	5000	2425	5615	6220	1810	1205	6	6	2600	2750	6	6	2950
	5500	2615	6115	6720	2000	1395	6	6	1900	2050	6	6	2650
	6000	2865	6615	7220	2250	1645	6	6	1500	1650	6	6	2050
	6500	3115	7115	7720	2500	1895	—	—	—	—	6	6	1600
	7000	3365	7615	8220	2750	2145	—	—	—	—	6	6	1200

NOTE: Height of standard load backrest is 1220 mm.
* with A4 piping, minus 20 mm.

3,500 kg

MAIN VEHICLE SPECIFICATIONS

Characteristics				TOYOTA		TOYOTA		TOYOTA			
				30-8FGJ35	32-8FGJ35	62-8FDJ35	70-8FDJ35	72-8FDJ35			
1	Manufacturer			TOYOTA		TOYOTA		TOYOTA		1	
2	Model			30-8FGJ35	32-8FGJ35	62-8FDJ35	70-8FDJ35	72-8FDJ35		2	
3	Load Capacity	kg		3500		3500		3500		3	
4	Load Center	mm		500		500		500		4	
5	Power Type			Gasoline		Diesel		Diesel		5	
6	Operator Position			Rider Seated		Rider Seated		Rider Seated		6	
7	Tire Type	Front/Rear		Pneumatic		Pneumatic		Pneumatic		7	
8	Wheels (x = driven)	Front/Rear		2x/2		2x/2		2x/2		8	
9	Maximum Fork Height (MFH)	mm		3000		3000		3000		9	
10	Free Lift	mm		140		140		140		10	
13	Fork Size	T x W x L	mm	50x140x1070		50x140x1070		50x140x1070		13	
	Fork Spread (Outside)	MAX./MIN.	mm	1070/280		1070/280		1070/280			
14	Tilt Range	FWD/BWD	deg	6/11		6/11		6/11		14	
15	Length to Fork Face		mm	2845		2845		2845		15	
16	Overall Width		mm	1290		1290		1290		16	
17	Mast Lowered Height		mm	2120		2120		2120		17	
18	Mast Extended Height		mm	4220		4220		4220		18	
19	Overhead Guard Height		mm	2180		2180		2180		19	
21	Turning Radius (Outside)		mm	2490		2490		2490		21	
22	Load Distance (Centerline of front axle to front face of forks)		mm	500		500		500		22	
	Rear Overhang		mm	650		650		650			
23	Basic Right Angle Stacking Aisle Width (Add load length and clearance)		mm	2990		2990		2990		23	
24	Speeds	Travel, Max. (FWD/RVS)	Full Load	km/h	19.0/19.0	19.0/19.0	18.0/18.0	19.0/19.0	19.0/19.0	24	
			No Load	km/h	19.5/19.5	19.5/19.5	18.5/18.5	19.5/19.5	19.5/19.5		
		Lifting	Full Load	mm/sec	410	410	410	440	440	25	
			No Load	mm/sec	450	450	450	460	460		
		Lowering	Full Load	mm/sec	500	500	500	500	500	26	
			No Load	mm/sec	450	450	450	450	450		
28	Max. Drawbar Pull	Full Load	N (kg)	16500 (1680)	17000 (1730)	18600 (1900)	19500 (1990)	18500 (1890)	28		
		No Load	N (kg)	10500 (1070)	10500 (1070)	10600 (1080)	10700 (1090)	10700 (1090)			
	Max. Drawbar Pull at 1.5km/h *	Full Load	N (kg)	—	13900 (1420)	16500 (1680)	—	16000 (1630)			
29	Gradeability at 1.5 km/h *	Full Load	% (tanθ)	—	19	20	—	20	29		
30	Max. Gradeability *	Full Load	% (tanθ)	20	21	22	24	22	30		
		No Load	% (tanθ)	18	18	19	19	19			
32	Total Weight		kg	4770		4810		4870		32	
33	Weight Distribution	Full Load	Front	kg	7200		7210		7240		33
			Rear	kg	1070		1100		1130		
		No Load	Front	kg	1640		1660		1680		34
			Rear	kg	3130		3150		3190		
35	Tires	Number	Front/Rear	2/2		2/2		2/2		35	
36	Size	Front		250-15-16PR (I)		250-15-16PR (I)		250-15-16PR (I)		36	
		Rear		6.5-10-12PR (I)		6.5-10-12PR (I)		6.5-10-12PR (I)		37	
38	Wheelbase		mm	1700		1700		1700		38	
39	Tread	Front	mm	1060		1060		1060		39	
		Rear	mm	965		965		965			
	Backrest Height		mm	1220		1220		1220			
	Overhead Guard Clearance		mm	1055		1055		1055			
	Counterweight Height		mm	1130		1130		1130			
	Drawbar Pin Center Height		mm	335		335		335			
	Step Height/Floor Height		mm	505/745		505/745		505/745			
40	Underclearance (Full Load)	Min. <Mast>	mm	130		130		130		40	
41		Center of Wheelbase	mm	190		190		190		41	
	Grade Clearance	Frame/Counterweight	% (tanθ)	64/43		64/43		64/43			
42	Brake	Service (Foot)		Hydraulic		Hydraulic		Hydraulic		42	
43	Parking			Hand	Foot	Foot		Hand	Foot	43	
45	Battery	Voltage/Capacity (5HR)	V/AH	12/27		12/55		12/64		45	
49		Make/Model		TOYOTA/4Y		TOYOTA/1DZ-II [1DZ-III] **		TOYOTA/2Z ***		49	
50		Rated Power/r.p.m.	kW (JIS ps)	43/2600 (58/2600)		44 (60)/2600 [41 (55)/2500]		49/2200 (66/2200)		50	
51	Internal Combustion Engine	Rated Torque/r.p.m.	N-m (JIS kg-m)	162/1800 (16.5/1800)		167 (17.0)/1600 [157 (16.0)/2500]		216/1600 (22.0/1600)		51	
52		Number of Cylinder		4		4		4		52	
		Piston Displacement	cc	2237		2486		3469			
		Fuel Tank Capacity	liter	60		60		60			
		Type		Manual	Powershift	Powershift		Manual	Powershift		
55	Transmission	Stage	FWD/RVS	2/2		1/1		1/1		55	
57	Operating Pressure	For Attachments	Mpa (kg/cm ²)	15.7 (160)		15.7 (160)		15.7 (160)		57	

NOTE: * Computed values.

** 1DZ-II: Non-road Mobile Machinery (97/68/EC; Stage II) EPA Non-road Diesel Emissions (40 CFR Part 89; Interim Tier 2).

1DZ-III: Non-road Mobile Machinery (97/68/EC; Stage IIIA) EPA Non-road Diesel Emissions (40 CFR Part 1039; Interim Tier 4).

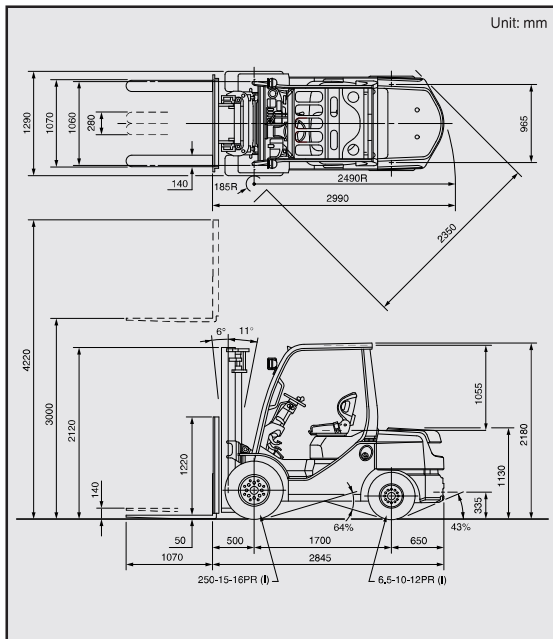
*** 2Z: Non-road Mobile Machinery (97/68/EC; Stage II).

The data in this publication was determined based on our standard testing condition.

Operating performance may vary depending on the actual specification and condition of the vehicle as well as the condition of the operating area.

8FGJ/8FDJ35

DIMENSIONAL DRAWINGS



SPECIAL TREAD

Front Tire Single/Dual	Dual	Dual
Front Tire Size	6.00-15-10PR (I)	28x8-15-12PR (I)
Overall Width	mm 1525	mm 1715
Tread, Front	mm 1155	mm 1290

UNDERCLEARANCE mm

Mast (Full Load)	130
Drive Axle (Full Load)	140
Steer Axle (No Load)	180
Center of Wheelbase (Full Load)	190
Counterweight (No Load)	170

MAST SPECIFICATIONS & RATED CAPACITIES

Mast Type	Maximum Fork Height	Overall Height			Free Lift		Single Tire				Dual Tire		
		Lowered	Extended		Without Load Backrest	With Standard Load Backrest	Tilt Range		Load Capacity at 500 mm LC		Tilt Range		Load Capacity at 500 mm LC
			Without Load Backrest	With Standard Load Backrest			FWD	BWD	Pneumatic Tire	Pneumatic-Shaped Cushion Tire	FWD	BWD	
		mm	mm	mm	mm	mm	mm	deg	deg	kg	kg	deg	deg
Wide Visible Mast (V)	2700	2000	3570	3920	140	140	6	11	3500	3500	6	11	3500
	3000	2120	3870	4220	140	140	6	11	3500	3500	6	11	3500
	3300	2300	4170	4520	140	140	6	11	3500	3500	6	11	3500
	3500	2400	4370	4720	140	140	6	11	3500	3500	6	11	3500
	3700	2500	4570	4920	140	140	6	11	3500	3500	6	11	3500
	4000	2750	4870	5220	140	140	6	11	3500	3500	6	11	3500
	4500	3000	5370	5720	140	140	6	6	3500	3500	6	11	3500
5000	3250	5870	6220	140	140	6	6	3300	3400	6	6	3400	
Wide Visible Full-Free Lift Two-Stage Mast (FV)	3000	2120	3735	4220	1395	910	6	11	3500	3500	6	11	3500
	3300	2300	4035	4520	1575	1090	6	11	3500	3500	6	11	3500
	3500	2400	4235	4720	1675	1190	6	11	3500	3500	6	11	3500
	3700	2500	4435	4920	1775	1290	6	11	3500	3500	6	11	3500
	4000	2750	4735	5220	2025	1540	6	11	3500	3500	6	11	3500
Wide Visible Full-Free Lift Three-Stage Mast (FSV)	3700	2030	4435	4920	1305	820	6	6	3500	3500	6	6	3500
	4000	2180	4735	5220	1455	970	6	6	3500	3500	6	6	3500
	4300	2230	5035	5520	1505	1020	6	6	3500	3500	6	6	3500
	4500	2280	5235	5720	1555	1070	6	6	3400	3400	6	6	3400
	4700	2440	5435	5920	1715	1230	6	6	3400	3400	6	6	3400
	5000	2630	5735	6220	1905	1420	6	6	3300	3300	6	6	3300
	5500	2880	6235	6720	2155	1670	6	6	2700	2850	6	6	3200
	6000	3130	6735	7220	2405	1920	6	6	2000	2150	6	6	2400
	6500	3380	7235	7720	2655	2170	—	—	—	—	6	6	1650
	7000	3630	7735	8220	2905	2420	—	—	—	—	6	6	900

NOTE: Height of standard load backrest is 1220 mm.

RATED CAPACITIES

Unit: kg (W)

V, FV Mast (PN)

A (mm)	4500	5000
500	3500	3300 [3400]
600	3180	3000 [3090]
700	2920	2750 [2840]
800	2700	2550 [2620]
B (mm)	2510	2370 [2440]
1000	2340	2210 [2280]
1100	2200	2070 [2140]
1200	2070	1950 [2010]
1300	1960	1840 [1900]

V, FV Mast (PSC)

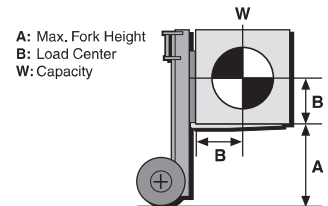
A (mm)	4500	5000
500	3500	3400
600	3180	3090
700	2920	2840
800	2700	2620
B (mm)	2510	2440
1000	2340	2280
1100	2200	2140
1200	2070	2010
1300	1960	1900

[] for dual tire models.

FSV Mast (PN or PSC)

A (mm)	4300	4500	4700	5000	5500	6000	6500	7000
500	3500	3400	3400	3300	2700 [3200]	2000 [2400]	[1650]	[900]
600	3190	3100	3100	3000	2460 [2910]	1820 [2180]	[1500]	[820]
700	2930	2840	2840	2760	2260 [2680]	1670 [2010]	[1380]	[750]
800	2710	2630	2630	2550	2090 [2480]	1550 [1860]	[1270]	[690]
B (mm)	2520	2450	2450	2380	1940 [2300]	1440 [1730]	[1190]	[640]
1000	2350	2290	2290	2220	1820 [2150]	1340 [1610]	[1110]	[600]
1100	2210	2150	2150	2080	1700 [2020]	1260 [1510]	[1040]	[560]
1200	2080	2020	2020	1960	1610 [1900]	1190 [1430]	[980]	[530]
1300	1970	1910	1910	1860	1520 [1800]	1120 [1350]	[930]	[500]

[] for dual tire models.



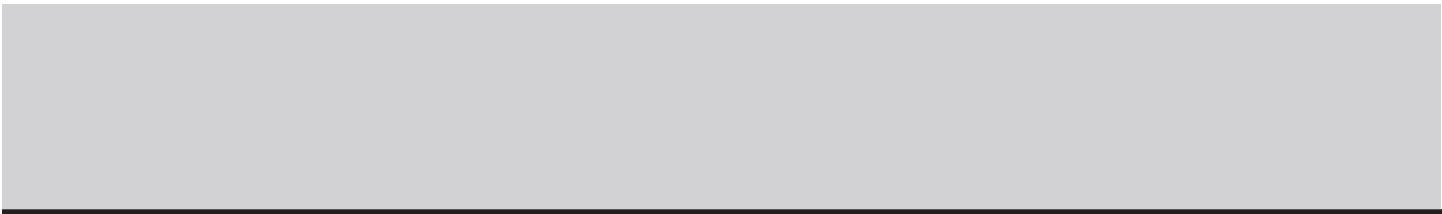
STANDARD EQUIPMENT

8FG10. 15. 18. 20. 25. 30, 8FGJ35 8FGK20.25.30

- Wide Visible Mast (V) [MFH: 3,000 mm]
- Load backrest (V and FSV masts) [Height: 1,220 mm]
- Easy-down system (V mast)
- Alternator with IC regulator
- Same key for multiple forklifts
- 7" cyclone air cleaner with snorkel air intake
- Radiator reservoir tank
- Operator Presence Sensing System (OPS)
- Double-action parking brake [Manual transmission models]
- Foot-activated parking brake [Powershift transmission models]
- Assist grip
- Neutral safety switch
- Electronic shift control
- Full hydraulic power steering
- Overhead guard sheet
- Overhead guard
- Rain gutter
- Hidden tilt cylinder
- Tilt cylinder boots
- Tilt steering column
- Engine hood damper (lockable)
- Jack point
- Drawbar pin
- Engine hood insulation
- Headlights
- Headlights guard
- Integrated light & Turn signal switch
- Hour meter
- Engine water temperature indicator
- All-time fuel meter
- Engine oil pressure warning light
- Charge warning light
- Electric horn
- Storage area

8FD10. 15. 18. 20. 25. 30, 8FDJ35 8FDK20.25.30

- Wide Visible Mast (V) [MFH: 3,000 mm]
- Load backrest (V and FSV masts) [Height: 1,220 mm]
- Easy-down system (V mast)
- Alternator with IC regulator
- Intake heater (2Z engine models)
- Super glow control system (1DZ-II/1DZ-III engine models)
- Sedimenter
- Same key for multiple forklifts
- 7" cyclone air cleaner with snorkel air intake
- Radiator reservoir tank
- Operator Presence Sensing System (OPS)
- Double-action parking brake [Manual transmission models]
- Foot-activated parking brake [Powershift transmission models]
- Assist grip
- Neutral safety switch
- Electronic shift control
- Full hydraulic power steering
- Overhead guard sheet
- Overhead guard
- Rain gutter
- Hidden tilt cylinder
- Tilt cylinder boots
- Tilt steering column
- Engine hood damper (lockable)
- Jack point
- Drawbar pin
- Engine hood insulation
- Headlights
- Headlights guard
- Integrated light & Turn signal switch
- Hour meter
- Engine water temperature indicator
- All-time fuel meter
- Engine oil pressure warning light
- Charge warning light
- Pre-heat indicator light
- Sedimenter warning light
- Electric horn
- Storage area



Availability and specifications are determined regionally and are subject to change without notice.
Please consult your Toyota representative for details.

All rights reserved by Toyota Industries Corporation.



TOYOTA MATERIAL HANDLING INTERNATIONAL

S.S.8FG/8FD10-35/E-1101/©/Printed in Japan/No.720680E0/3,200