

7FBR10.13 7FBR15.18



7FBR15

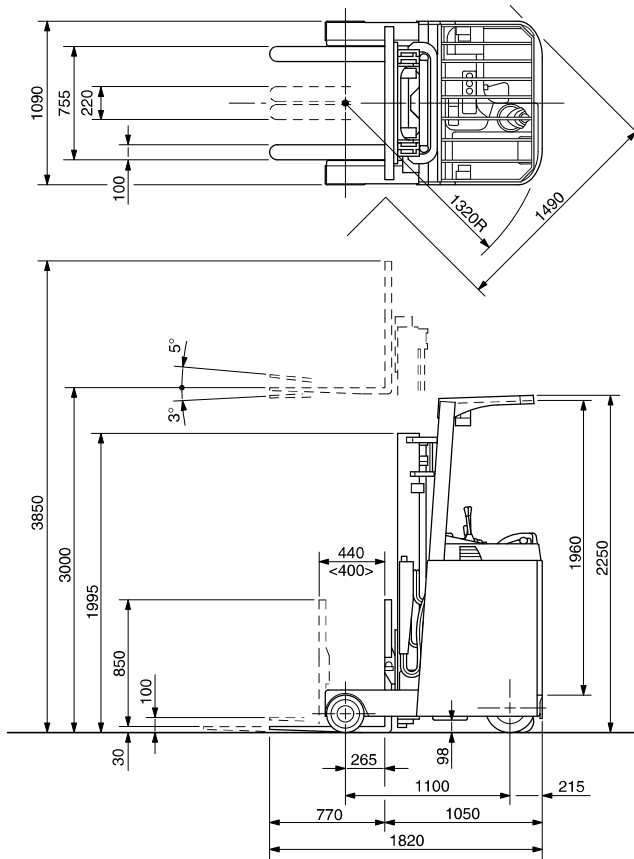
MAIN VEHICLE SPECIFICATIONS

1	Manufacturer			TOYOTA	TOYOTA	TOYOTA	TOYOTA	
2	Model			7FBR10	7FBR13	7FBR15	7FBR18	
3	Load Capacity	kg		1000	1250	1500	1800	
4	Load Center	mm		500	500	500	500	
5	Power Type			Battery	Battery	Battery	Battery	
6	Operator Position			Stand On	Stand On	Stand On	Stand On	
7	Tire Type	Front/Rear		Cushion	Cushion	Cushion	Cushion	
8	Wheels (x = driven)	Front/Rear		2/1x+2	2/1x+2	2/1x+2	2/1x+2	
9	Maximum Fork Height (MFH)	mm		3000	3000	3000	3000	
10	Free Lift	mm		100	100	105	105	
13	Fork Size	T x W x L	mm	30x100x770	30x100x850	35x100x920	35x100x920	
	Fork Spread (Outside)	MAX./MIN.	mm	755/220	755/220	755/220	755/220	
14	Tilt Range	Up/Down	deg	5/3	5/3	5/3	5/3	
	Overall Length		mm	1820	1900	2075	2075	
15	Length to Fork Face		mm	1050	1050	1155	1155	
	Width Between Reach Legs		mm	755	755	755	755	
	Reach Stroke		mm	440	590	585	735	
16	Overall Width		mm	1090	1090	1090	1090	
17	Mast Lowered Height		mm	1995	1995	1995	1995	
18	Mast Extended Height		mm	3850	3850	3850	3850	
19	Overhead Guard Height		mm	2250	2250	2250	2250	
21	Turning Radius (Outside)		mm	1320	1470	1560	1710	
22	Load Distance (Centerline of front axle to front face of forks)		mm	265	415	410	560	
	Rear Overhang		mm	215	215	215	215	
	Right Angle Stacking Aisle Width (With pallets 1100x1100) *		mm	2320	2350	2440	2480	
	Intersecting Aisle Width		mm	1490	1570	1620	1690	
24	Speeds	Travel, Max. (FWD/RVS)	Full Load	km/h	9.5	9.5	9.5	9.5
			No Load	km/h	10.5	10.5	10.5	10.5
	Lifting		Full Load	mm/sec	350	320	310	300
			No Load	mm/sec	540	540	540	540
26	Lowering		Full Load	mm/sec	500	500	500	500
			No Load	mm/sec	550	550	550	550
27	Traction	Full Load/No Load	3-Minute Ratings	N	4500/5600	5300/6000	6000/6300	6000/6300
			5-Minute Ratings	N	4500/5600	5300/6000	6000/6300	6000/6300
			60-Minute Ratings	N	2900/3100	2800/3100	2400/2700	2300/2700
29	Gradeability **	Full Load/No Load	3-Minute Ratings	% (tanθ)	19/32	18/31	17/30	15/28
			5-Minute Ratings	% (tanθ)	19/32	18/31	17/30	15/28
			60-Minute Ratings	% (tanθ)	12/20	11/19	8/15	7/14
32	Total Weight	Without Battery		kg	1680	1700	1730	1810
33	Weight Distribution (With STD Battery)	Full Load (Full Reach)	Front	kg	2560	2850	3230	3590
		Rear	kg	470	450	460	480	
34		No Load (No Reach)	Front	kg	760	690	760	730
		Rear	kg	1270	1360	1430	1540	
35	Tires	Number	Front/Rear		2/1+2	2/1+2	2/1+2	2/1+2
36		Size	Front, Load		260x120	260x120	254x120	254x120
37			Rear, Drive		330x145	330x145	330x145	330x145
			Rear, Caster		150x80	150x80	150x80	150x80
38	Wheelbase		mm	1100	1250	1350	1500	
39	Tread	Front	mm	970	970	970	970	
		Rear	mm	650	650	650	650	
	Backrest Height		mm	850	850	850	850	
	Overhead Guard Clearance		mm	1960	1960	1960	1960	
	Floor Height		mm	250	250	250	250	
40	Underclearance ***	Min. <Suspension>	mm	70 (No Load)	70 (No Load)	70 (No Load)	70 (Full Load)	
41		Center of Wheelbase	mm	98 (No Load)	98 (No Load)	98 (No Load)	98 (Full Load)	
42	Brake	Front			Hydraulic	Hydraulic	Hydraulic	
		Service (Foot)			Mechanical	Mechanical	Mechanical	
43		Parking			Mechanical	Mechanical	Mechanical	
45	Battery	Voltage/Capacity (5-hour ratings)	STD	V/AH	48/201	48/201	48/280	48/280
46		High	V/AH	48/225	48/225	48/370	48/370	
47		Weight (STD Capacity Type)	kg	350	350	465	465	
48	Electric Motors	Drive		kW	4.9	4.9	4.9	4.9
		Load Handling		kW	6.5	6.5	8.0	8.0
		Power Steering		kW	0.26	0.26	0.26	0.26
54	Control Type	Drive			Transistor inverter	Transistor inverter	Transistor inverter	Transistor inverter
		Load Handling			Transistor chopper	Transistor chopper	Transistor chopper	Transistor chopper
		Power Steering			Transistor chopper	Transistor chopper	Transistor chopper	Transistor chopper
57	Operating Pressure	For Attachments	MPa (psi)	12.2 (1800)	12.2 (1800)	16.7 (2400)	16.7 (2400)	

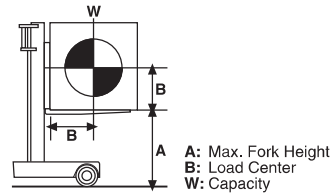
NOTE: * Safety clearance of 200 mm not included (general application). ** Computed values. *** The underclearance value is valid under the following conditions: no reach, 500 mm load center and the suspension spring in correct adjustment. Underclearance will be increased slightly under the full reach condition.

DIMENSIONAL DRAWINGS
7FBR10

Unit: mm



RATED CAPACITIES
7FBR10



V, SV, FV Mast Unit: kg (W)

A (mm)	4000	4500	5000
500	1000	950	900
600	870	830	780
B (mm)	700	770	730
800	690	660	620
900	630	600	570
1000	570	550	520

FSV Mast Unit: kg (W)

A (mm)	4000	4300	4700	5000	5500	6000
500	1000	950	900	850	700	550
600	870	830	780	740	610	480
B (mm)	700	770	730	690	660	540
800	690	660	620	590	480	380
900	630	600	570	530	440	350
1000	570	550	520	490	400	320

REACH LEGS HEIGHT

7FBR10 275

UNDERCLEARANCE

Center of Wheelbase (NoLoad) 98
Rear Frame (No Load) 90

NOTE: < > is data for V and SV mast at a maximum fork height of 2700 mm or less.

SPECIAL MAST

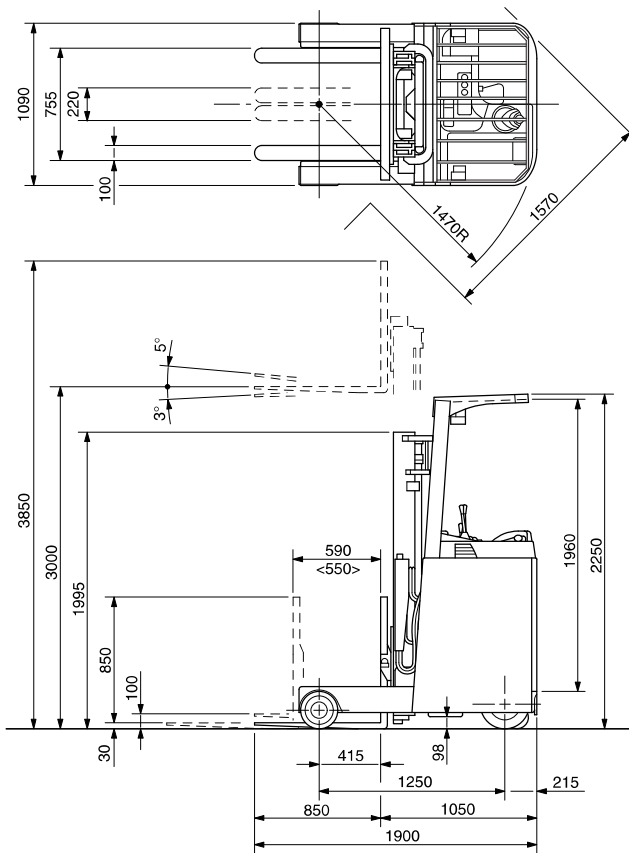
Wide Visible Mast (SV), Wide Visible Full-Free Lift Two-Stage Mast (FV),
Wide Visible Full-Free Lift Three-Stage Mast (FSV)

Model			7FBR10			
Type of Mast			SV	FV	FSV	
PERFORMANCE						
Speeds	Lifting	Full Load	mm/sec	350	290	290
		No Load	mm/sec	540	480	480
	Lowering	Full Load	mm/sec	500	450	450
		No Load	mm/sec	550	400	420
Reach Stroke		mm	440 <400>	415	370	
DIMENSIONS						
Load Distance (Centerline of front axle to front face of forks)		mm	265	240	195	
Overall Length (to Top of Forks)		mm	1820	1845	1890	
Overall Width		mm	1090	1090	1090	
Turning Radius (Outside)		mm	1320	1320	1320	
Intersecting Aisle Width		mm	1490	1490	1490	

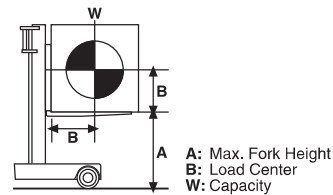
NOTE: < > is data for V and SV mast at a maximum fork height of 2700 mm or less.

DIMENSIONAL DRAWINGS 7FBR13

Unit: mm



RATED CAPACITIES 7FBR13



V, SV, FV Mast		Unit: kg (W)		
A (mm)	4000	4500	5000	
500	1250	1150	1050	
600	1090	1000	910	
B (mm)	700	960	890	810
800	870	800	730	
900	780	720	660	
1000	720	660	600	

FSV Mast		Unit: kg (W)					
A (mm)	4000	4300	4700	5000	5500	6000	
500	1250	1200	1150	1050	850	650	
600	1090	1050	1000	910	740	570	
B (mm)	700	960	930	890	810	660	500
800	870	830	800	730	590	450	
900	780	750	720	660	530	410	
1000	720	690	660	600	490	370	

REACH LEGS HEIGHT

7FBR13 275

UNDERCLEARANCE

Center of Wheelbase (No Load) 98
Rear Frame (No Load) 90

NOTE: < > is data for V and SV mast at a maximum fork height of 2700 mm or less.

SPECIAL MAST

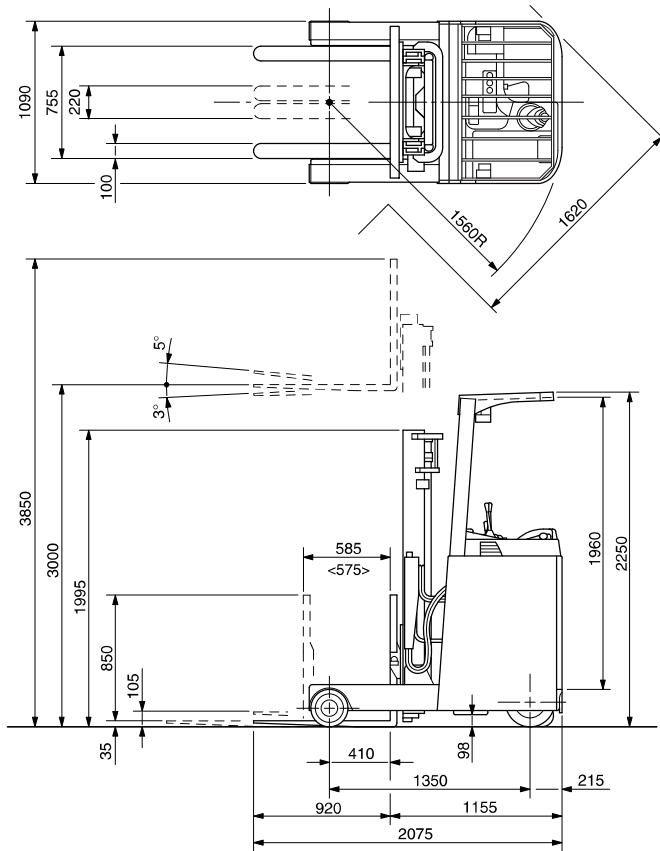
Wide Visible Mast (SV), Wide Visible Full-Free Lift Two-Stage Mast (FV),
Wide Visible Full-Free Lift Three-Stage Mast (FSV)

Model		7FBR13				
Type of Mast		SV	FV	FSV		
PERFORMANCE						
Speeds	Lifting	Full Load	mm/sec	320	270	270
		No Load	mm/sec	540	480	480
	Lowering	Full Load	mm/sec	500	450	450
		No Load	mm/sec	550	400	550
Reach Stroke		mm	590 <550>	565	520	
DIMENSIONS						
Load Distance (Centerline of front axle to front face of forks)		mm	415	390	345	
Overall Length (to Top of Forks)		mm	1900	1925	1970	
Overall Width		mm	1090	1090	1090	
Turning Radius (Outside)		mm	1470	1470	1470	
Intersecting Aisle Width		mm	1570	1570	1570	

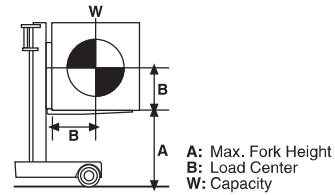
NOTE: < > is data for V and SV mast at a maximum fork height of 2700 mm or less.

DIMENSIONAL DRAWINGS
7FBR15

Unit: mm



RATED CAPACITIES
7FBR15



V, SV, FV Mast Unit: kg (W)

A (mm)	4000	4500	5000
500	1500	1450	1400
600	1310	1260	1220
B (mm)	700	1160	1120
800	1040	1000	970
900	940	910	880
1000	860	830	800

FSV Mast Unit: kg (W)

A (mm)	4300	4700	5000	5500	6000
500	1500	1450	1400	1150	900
600	1310	1260	1220	1000	780
B (mm)	700	1160	1120	1080	890
800	1040	1000	970	800	620
900	940	910	880	720	570
1000	860	830	800	660	520

REACH LEGS HEIGHT

7FBR15 ----- 275

UNDERCLEARANCE

Center of Wheelbase (No Load) ----- 98
Rear Frame (No Load) ----- 90

NOTE: < > is data for V and SV mast at a side pull-out battery model.

SPECIAL MAST

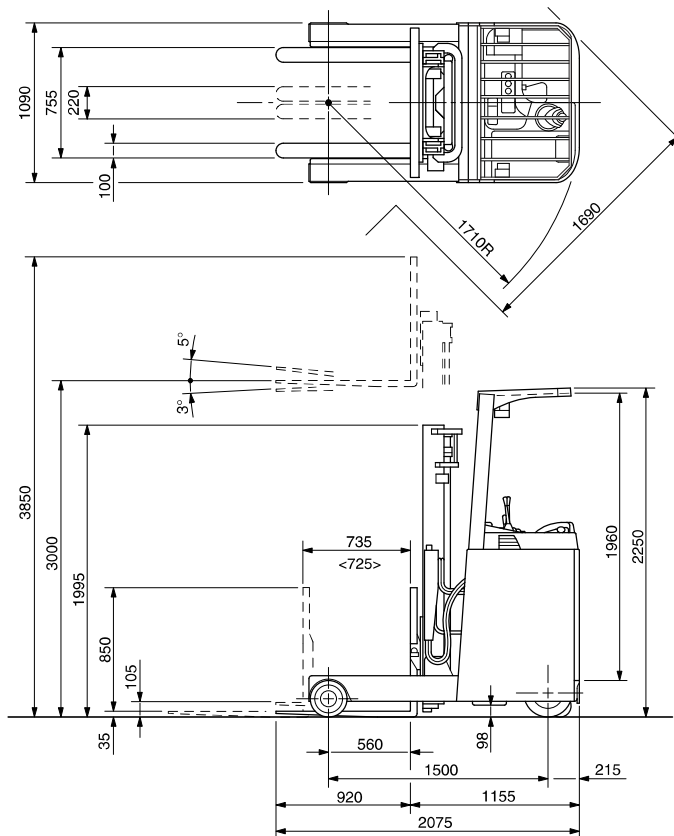
Wide Visible Mast (SV), Wide Visible Full-Free Lift Two-Stage Mast (FV),
Wide Visible Full-Free Lift Three-Stage Mast (FSV)

Model		7FBR15				
Type of Mast		SV	FV	FSV		
PERFORMANCE						
Speeds	Lifting	Full Load	mm/sec	310	280	280
		No Load	mm/sec	540	480	480
	Lowering	Full Load	mm/sec	500	450	450
		No Load	mm/sec	550	400	550
Reach Stroke		mm	585 <575>	560	510	
DIMENSIONS						
Load Distance (Centerline of front axle to front face of forks)		mm	410	385	335	
Overall Length (to Top of Forks)		mm	2075	2100	2150	
Overall Width		mm	1090	1090	1090	
Turning Radius (Outside)		mm	1560	1560	1560	
Intersecting Aisle Width		mm	1620	1620	1620	

NOTE: < > is data for V and SV mast at a side pull-out battery model.

DIMENSIONAL DRAWINGS 7FBR18

Unit: mm



REACH LEGS HEIGHT

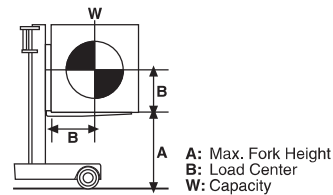
7FBR18 275

UNDERCLEARANCE

Center of Wheelbase (Full Load) 98
Rear Frame (Full Load) 90

NOTE: < > is data for V and SV mast at a side pull-out battery model.

RATED CAPACITIES 7FBR18



V, SV, FV Mast Unit: kg (W)

A (mm)	4000	4500	5000	
500	1800	1700	1550	
600	1570	1480	1350	
B (mm)	700	1390	1310	1200
800	1250	1180	1070	
900	1130	1070	970	
1000	1030	980	890	

FSV Mast Unit: kg (W)

A (mm)	4000	4300	4700	5000	5500	6000	
500	1800	1750	1650	1550	1350	1050	
600	1570	1520	1440	1350	1180	910	
B (mm)	700	1390	1350	1270	1200	1040	810
800	1250	1210	1140	1070	930	730	
900	1130	1100	1040	970	850	660	
1000	1030	1010	950	890	780	600	

SPECIAL MAST

Wide Visible Mast (SV), Wide Visible Full-Free Lift Two-Stage Mast (FV),
Wide Visible Full-Free Lift Three-Stage Mast (FSV)

Model	7FBR18					
	SV	FV	FSV			
Type of Mast	SV	FV	FSV			
PERFORMANCE						
Speeds	Lifting	Full Load	mm/sec	300	270	270
		No Load	mm/sec	540	480	480
	Lowering	Full Load	mm/sec	500	450	450
		No Load	mm/sec	550	400	550
Reach Stroke	mm	735 <725>	660	710		
DIMENSIONS						
Load Distance (Centerline of front axle to front face of forks)	mm	560	535	485		
Overall Length (to Top of Forks)	mm	2075	2100	2150		
Overall Width	mm	1090	1090	1090		
Turning Radius (Outside)	mm	1710	1710	1710		
Intersecting Aisle Width	mm	1690	1690	1690		

NOTE: < > is data for V and SV mast at a side pull-out battery model.

MAST SPECIFICATIONS & RATED CAPACITIES

Wide Visible Mast (V), Wide Visible Mast (SV), Wide Visible Full-Free Lift Two-Stage Mast (FV),

Wide Visible Full-Free Lift Three-Stage Mast (FSV)

7FBR10

Mast Type	Maximum Fork Height	Overall Mast Height			Free Lift		Tilt Range		Load Capacity at 500 mm LC
		Lowered	Extended		Without Load Backrest	With Standard Load Backrest	Down	Up	
			Without Load Backrest	With Standard Load Backrest					
mm	mm	mm	mm	mm	mm	deg	deg	kg	
V	2500	1745	—	3350	—	100	3	5	1000
	2700	1845	—	3550	—	100	3	5	1000
	3000	1995	—	3850	—	100	3	5	1000
	3300	2145	—	4150	—	100	3	5	1000
	3500	2245	—	4350	—	100	3	5	1000
	3700	2345	—	4550	—	100	3	5	1000
	4000	2495	—	4850	—	100	3	5	1000
	4500	2845	—	5350	—	100	3	5	950
5000	3095	—	5850	—	100	3	5	900	
SV	2500	1745	—	3350	—	410	3	5	1000
	2700	1845	—	3550	—	410	3	5	1000
	3000	1995	—	3850	—	410	3	5	1000
	3300	2145	—	4150	—	410	3	5	1000
	3500	2245	—	4350	—	410	3	5	1000
	3700	2345	—	4550	—	410	3	5	1000
	4000	2495	—	4850	—	410	3	5	1000
	4500	2845	—	5350	—	410	3	5	950
5000	3095	—	5850	—	410	3	5	900	
FV	2500	1745	3115	3350	945	890	3	5	1000
	2700	1845	3315	3550	1045	990	3	5	1000
	3000	1995	3615	3850	1195	1140	3	5	1000
	3300	2145	3915	4150	1345	1290	3	5	1000
	3500	2245	4115	4350	1445	1390	3	5	1000
	3700	2345	4315	4550	1545	1490	3	5	1000
	4000	2495	4615	4850	1695	1640	3	5	1000
FSV	3700	1795	—	4550	—	940	3	5	1000
	4000	1895	—	4850	—	1040	3	5	1000
	4300	1995	—	5150	—	1140	3	5	950
	4500	2065	—	5350	—	1210	3	5	900
	4700	2145	—	5550	—	1290	3	5	900
	5000	2245	—	5850	—	1390	3	5	850
	5500	2405	—	6350	—	1545	3	5	700
	6000	2595	—	6850	—	1740	3	5	550

NOTE: Height of standard load backrest is 850 mm.
without load backrest is standard on FV mast.**7FBR13**

Mast Type	Maximum Fork Height	Overall Mast Height			Free Lift		Tilt Range		Load Capacity at 500 mm LC
		Lowered	Extended		Without Load Backrest	With Standard Load Backrest	Down	Up	
			Without Load Backrest	With Standard Load Backrest					
mm	mm	mm	mm	mm	mm	deg	deg	kg	
V	2500	1745	—	3350	—	100	3	5	1250
	2700	1845	—	3550	—	100	3	5	1250
	3000	1995	—	3850	—	100	3	5	1250
	3300	2145	—	4150	—	100	3	5	1250
	3500	2245	—	4350	—	100	3	5	1250
	3700	2345	—	4550	—	100	3	5	1250
	4000	2495	—	4850	—	100	3	5	1250
	4500	2845	—	5350	—	100	3	5	1150
5000	3095	—	5850	—	100	3	5	1050	
SV	2500	1745	—	3350	—	410	3	5	1250
	2700	1845	—	3550	—	410	3	5	1250
	3000	1995	—	3850	—	410	3	5	1250
	3300	2145	—	4150	—	410	3	5	1250
	3500	2245	—	4350	—	410	3	5	1250
	3700	2345	—	4550	—	410	3	5	1250
	4000	2495	—	4850	—	410	3	5	1250
	4500	2845	—	5350	—	410	3	5	1150
5000	3095	—	5850	—	410	3	5	1050	
FV	2500	1745	3115	3350	945	890	3	5	1250
	2700	1845	3315	3550	1045	990	3	5	1250
	3000	1995	3615	3850	1195	1140	3	5	1250
	3300	2145	3915	4150	1345	1290	3	5	1250
	3500	2245	4115	4350	1445	1390	3	5	1250
	3700	2345	4315	4550	1545	1490	3	5	1250
	4000	2495	4615	4850	1695	1640	3	5	1250
FSV	3700	1795	—	4550	—	940	3	5	1250
	4000	1895	—	4850	—	1040	3	5	1250
	4300	1995	—	5150	—	1140	3	5	1200
	4500	2065	—	5350	—	1210	3	5	1150
	4700	2145	—	5550	—	1290	3	5	1150
	5000	2245	—	5850	—	1390	3	5	1050
	5500	2405	—	6350	—	1545	3	5	850
	6000	2595	—	6850	—	1740	3	5	650

NOTE: Height of standard load backrest is 850 mm.
without load backrest is standard on FV mast.

MAST SPECIFICATIONS & RATED CAPACITIES

Wide Visible Mast (V), Wide Visible Mast (SV), Wide Visible Full-Free Lift Two-Stage Mast (FV),

Wide Visible Full-Free Lift Three-Stage Mast (FSV)

7FBR15

Mast Type	Maximum Fork Height	Overall Mast Height			Free Lift		Tilt Range		Load Capacity at 500 mm LC
		Lowered	Extended		Without Load Backrest	With Standard Load Backrest	Down	Up	
			Without Load Backrest	With Standard Load Backrest					
mm	mm	mm	mm	mm	mm	deg	deg	kg	
V	2500	1745	—	3350	—	105	3	5	1500
	2700	1845	—	3550	—	105	3	5	1500
	3000	1995	—	3850	—	105	3	5	1500
	3300	2145	—	4150	—	105	3	5	1500
	3500	2245	—	4350	—	105	3	5	1500
	3700	2345	—	4550	—	105	3	5	1500
	4000	2495	—	4850	—	105	3	5	1500
	4500	2845	—	5350	—	105	3	5	1450
5000	3095	—	5850	—	105	3	5	1400	
SV	2500	1745	—	3350	—	415	3	5	1500
	2700	1845	—	3550	—	415	3	5	1500
	3000	1995	—	3850	—	415	3	5	1500
	3300	2145	—	4150	—	415	3	5	1500
	3500	2245	—	4350	—	415	3	5	1500
	3700	2345	—	4550	—	415	3	5	1500
	4000	2495	—	4850	—	415	3	5	1500
	4500	2845	—	5350	—	415	3	5	1450
5000	3095	—	5850	—	415	3	5	1400	
FV	2500	1745	3115	3350	945	895	3	5	1500
	2700	1845	3315	3550	1045	995	3	5	1500
	3000	1995	3615	3850	1195	1145	3	5	1500
	3300	2145	3915	4150	1345	1295	3	5	1500
	3500	2245	4115	4350	1445	1395	3	5	1500
	3700	2345	4315	4550	1545	1495	3	5	1500
4000	2495	4615	4850	1695	1645	3	5	1500	
FSV	3700	1795	—	4550	—	945	3	5	1500
	4000	1895	—	4850	—	1045	3	5	1500
	4300	1995	—	5150	—	1145	3	5	1500
	4500	2065	—	5350	—	1215	3	5	1450
	4700	2145	—	5550	—	1295	3	5	1450
	5000	2245	—	5850	—	1395	3	5	1400
	5500	2405	—	6350	—	1550	3	5	1150
6000	2595	—	6850	—	1745	3	5	900	

NOTE: Height of standard load backrest is 850 mm.
without load backrest is standard on FV mast.**7FBR18**

Mast Type	Maximum Fork Height	Overall Mast Height			Free Lift		Tilt Range		Load Capacity at 500 mm LC
		Lowered	Extended		Without Load Backrest	With Standard Load Backrest	Down	Up	
			Without Load Backrest	With Standard Load Backrest					
mm	mm	mm	mm	mm	mm	deg	deg	kg	
V	2500	1745	—	3350	—	105	3	5	1800
	2700	1845	—	3550	—	105	3	5	1800
	3000	1995	—	3850	—	105	3	5	1800
	3300	2145	—	4150	—	105	3	5	1800
	3500	2245	—	4350	—	105	3	5	1800
	3700	2345	—	4550	—	105	3	5	1800
	4000	2495	—	4850	—	105	3	5	1800
	4500	2845	—	5350	—	105	3	5	1700
5000	3095	—	5850	—	105	3	5	1550	
SV	2500	1745	—	3350	—	415	3	5	1800
	2700	1845	—	3550	—	415	3	5	1800
	3000	1995	—	3850	—	415	3	5	1800
	3300	2145	—	4150	—	415	3	5	1800
	3500	2245	—	4350	—	415	3	5	1800
	3700	2345	—	4550	—	415	3	5	1800
	4000	2495	—	4850	—	415	3	5	1800
	4500	2845	—	5350	—	415	3	5	1700
5000	3095	—	5850	—	415	3	5	1550	
FV	2500	1745	3115	3350	945	895	3	5	1800
	2700	1845	3315	3550	1045	995	3	5	1800
	3000	1995	3615	3850	1195	1145	3	5	1800
	3300	2145	3915	4150	1345	1295	3	5	1800
	3500	2245	4115	4350	1445	1395	3	5	1800
	3700	2345	4315	4550	1545	1495	3	5	1800
4000	2495	4615	4850	1695	1645	3	5	1800	
FSV	3700	1795	—	4550	—	945	3	5	1800
	4000	1895	—	4850	—	1045	3	5	1800
	4300	1995	—	5150	—	1145	3	5	1750
	4500	2065	—	5350	—	1215	3	5	1650
	4700	2145	—	5550	—	1295	3	5	1650
	5000	2245	—	5850	—	1395	3	5	1550
	5500	2405	—	6350	—	1550	3	5	1350
6000	2595	—	6850	—	1745	3	5	1050	

NOTE: Height of standard load backrest is 850 mm.
without load backrest is standard on FV mast.

7FBR20.25.30

7FBRS20.25

MAIN VEHICLE SPECIFICATIONS

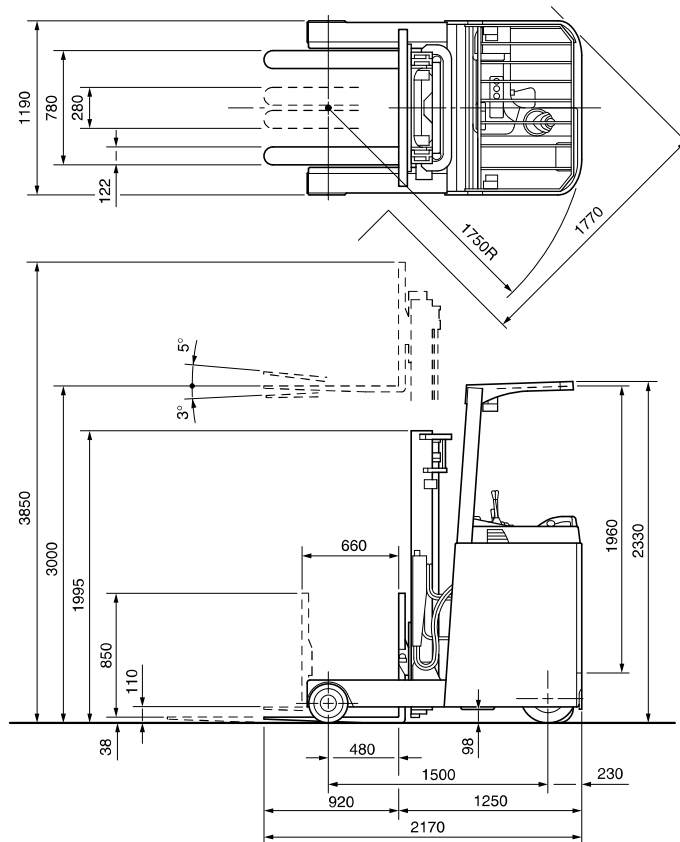
1	Manufacturer			TOYOTA	TOYOTA	TOYOTA	TOYOTA	TOYOTA
2	Model			7FBR20	7FBRS20	7FBR25	7FBRS25	7FBR30
3	Load Capacity		kg	2000	2000	2500	2500	3000
4	Load Center		mm	500	500	500	500	500
5	Power Type			Battery	Battery	Battery	Battery	Battery
6	Operator Position			Stand ON	Stand ON	Stand ON	Stand ON	Stand ON
7	Tire Type	Front/Rear		Cushion	Cushion	Cushion	Cushion	Cushion
8	Wheels (x = driven)	Front/Rear		2/1x+2	2/1x+2	2/1x+2	2/1x+2	2/1x+2
9	Maximum Fork Height (MFH)		mm	3000	4000	3000	4000	3000
10	Free Lift		mm	110	110	110	110	135
13	Fork Size	T x W x L	mm	38/122/920	38/122/920	42/122/920	42/122/920	45/122/1070
	Fork Spread (Outside)	MAX./MIN.	mm	780/280	780/280	780/280	780/280	780/250
14	Tilt Range	Up/Down	deg	5/3	5/3	5/3	5/3	5/3
	Overall Length		mm	2170	2170	2190	2190	2390
15	Length to Fork Face		mm	1250	1250	1270	1270	1320
	Width Between Reach Legs		mm	815	815	815	815	815
	Reach Stroke		mm	660	660	840	840	840
16	Overall Width		mm	1190	1190	1190	1190	1240
17	Mast Lowered Height		mm	1995	2555	1995	2555	1995
18	Mast Extended Height		mm	3850	4850	3850	4850	3950
19	Overhead Guard Height		mm	2330	2330	2330	2330	2330
21	Turning Radius (Outside)		mm	1750	1750	1950	1950	2000
22	Load Distance (Centerline of front axle to front face of forks)		mm	480	480	660	660	660
	Rear Overhang		mm	230	230	230	230	230
	Right Angle Stacking Aisle Width (With pallets 1100x1100) *		mm	2580	2580	2650	2650	2700
	Intersecting Aisle Width		mm	1770	1770	1870	1870	1900
24	Travel, Max. (FWD/RVS)	Full Load	km/h	10	10	9.5	9.5	9
		No Load	km/h	11.5	11.5	11.5	11.5	11
25	Speeds	Lifting	Full Load	mm/sec	300	300	280	280
			No Load	mm/sec	500	500	500	500
26	Lowering	Full Load	mm/sec	500	500	500	500	500
			No Load	mm/sec	450	450	450	450
27	Traction	Full Load/No Load	3-Minute Ratings	N	9700/10000	9700/10000	9600/10000	9600/10000
			5-Minute Ratings	N	9700/10000	9700/10000	9600/10000	9600/10000
			60-Minute Ratings	N	2600/3000	2600/2900	2500/2900	2500/2900
29	Gradeability **	Full Load/No Load	3-Minute Ratings	% (tanθ)	17/30	17/30	15/28	15/28
			5-Minute Ratings	% (tanθ)	17/30	17/30	15/28	15/28
			60-Minute Ratings	% (tanθ)	6/12	5/11	5/11	4/10
32	Total Weight	Without Battery	kg	1880	2310	2270	2335	2540
33	Weight Distribution (With STD Battery)	Full Load (Full Reach)	Front	kg	4120	4220	4710	4800
			Rear	kg	620	680	650	720
34		No Load (No Reach)	Front	kg	930	990	890	950
			Rear	kg	1810	1910	1970	2070
35	Tires	Number	Front/Rear		2/1x+2	2/1x+2	2/1x+2	2/1x+2
36			Front, Load		267x127	267x127	267x127	267x127
37		Size	Rear, Drive		380x145	380x145	380x145	380x145
			Rear, Caster		204x76	204x76	204x76	204x76
38	Wheelbase		mm	1500	1500	1700	1700	
39	Tread	Front	mm	1065	1065	1065	1065	
		Rear	mm	690	690	690	690	
	Backrest Height		mm	850	850	850	850	
	Overhead Guard Clearance		mm	1960	1960	1960	1960	
	Floor Height		mm	325	325	325	325	
40	Underclearance ***	Min. <Suspension>	mm	70 (No Load)	70 (No Load)	70 (Full Load)	70 (Full Load)	
		Center of Wheelbase	mm	98 (No Load)	98 (No Load)	98 (Full Load)	98 (Full Load)	
42	Brake	Front		Hydraulic	Hydraulic	Hydraulic	Hydraulic	
		Service (Foot)		Mechanical	Mechanical	Mechanical	Mechanical	
43	Parking			Mechanical	Mechanical	Mechanical	Mechanical	
45	Battery	Voltage/Capacity (5-hour ratings)	STD	V/AH	48/320	48/320	48/320	48/390
			High	V/AH	48/435	48/435	48/435	48/435
46		Weight (STD Capacity Type)	kg	590	590	590	685	
47		Drive	kW	5.2	5.2	5.2	5.2	
48	Electric Motors	Load Handling	kW	11	11	11	11	
		Power Steering	kW	0.35	0.35	0.35	0.35	
54	Control Type	Drive		Transistor inverter	Transistor inverter	Transistor inverter	Transistor inverter	
		Load Handling		Transistor chopper	Transistor chopper	Transistor chopper	Transistor chopper	
		Power Steering		Transistor chopper	Transistor chopper	Transistor chopper	Transistor chopper	
57	Operating Pressure	For Attachments	MPa (psi)	18.1 (2600)	18.1 (2600)	18.1 (2600)	18.1 (2600)	

NOTE: * Safety clearance of 200 mm not included (general application). ** Computed values. *** The underclearance value is valid under the following conditions: no reach, 500 mm load center and the suspension spring in correct adjustment. Underclearance will be increased slightly under the full reach condition.

DIMENSIONAL DRAWINGS

7FBR20

Unit: mm



REACH LEGS HEIGHT

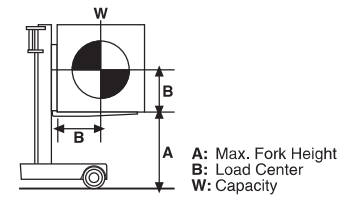
7FBR20 283

UNDERCLEARANCE

Center of Wheelbase (No Load) 98
Rear Frame (No Load) 90

RATED CAPACITIES

7FBR20



V, SV, FV Mast

Unit: kg (W)

A (mm)	4000	4500	5000	
500	2000	1900	1800	
600	1740	1660	1570	
700	1550	1470	1390	
800	1390	1320	1250	
B (mm)	900	1260	1200	1130
1000	1150	1090	1040	
1100	1060	1010	960	
1200	990	940	890	
1300	920	870	830	

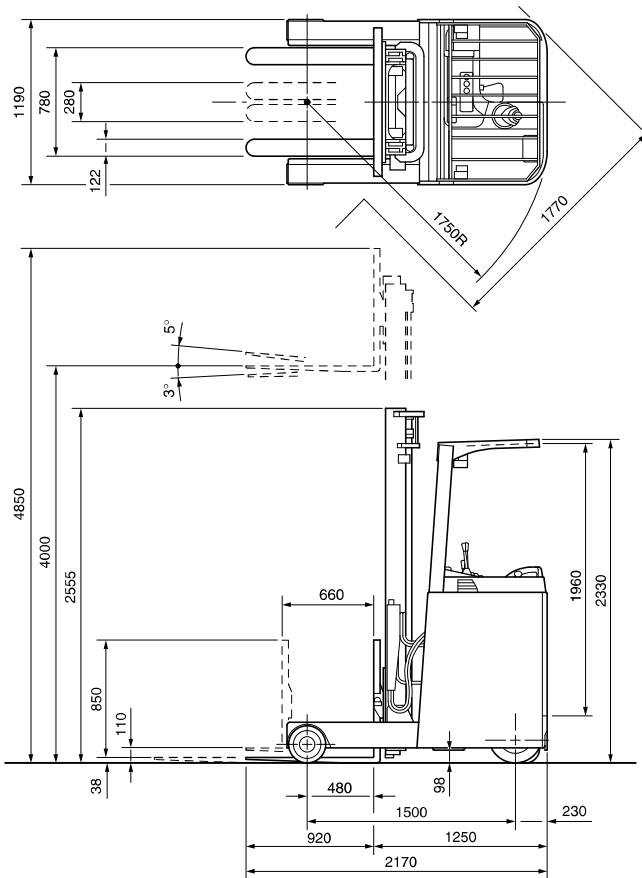
SPECIAL MAST

Wide Visible Mast (SV), Wide Visible Full-Free Lift Two-Stage Mast (FV)

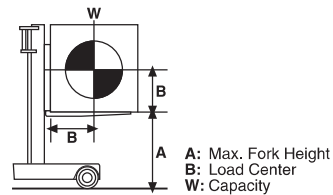
Model		7FBR20			
Type of Mast		SV	FV		
PERFORMANCE					
Speeds	Lifting	Full Load	mm/sec	300	280
		No Load	mm/sec	500	450
	Lowering	Full Load	mm/sec	500	480
		No Load	mm/sec	450	400
Reach Stroke		mm	660	545	
DIMENSIONS					
Load Distance (Centerline of front axle to front face of forks)		mm	480	365	
Overall Length (to Top of Forks)		mm	2170	2285	
Overall Width		mm	1190	1190	
Turning Radius (Outside)		mm	1750	1750	
Intersecting Aisle Width		mm	1770	1770	

DIMENSIONAL DRAWINGS
7FBR20

Unit: mm



RATED CAPACITIES
7FBR20



V, SV, FV Mast Unit: kg (W)

A (mm)	5000
500	2000
600	1740
700	1550
800	1390
900	1260
1000	1150
1100	1060
1200	990
1300	920

FSV Mast Unit: kg (W)

A (mm)	5000	5500	6000
500	2000	1850	1750
600	1740	1610	1530
700	1550	1430	1350
800	1390	1280	1210
900	1260	1160	1100
1000	1150	1070	1010
1100	1060	980	930
1200	990	910	860
1300	920	850	800

REACH LEGS HEIGHT

7FBR20 283

UNDERCLEARANCE

Center of Wheelbase (No Load) 98
Rear Frame (No Load) 90

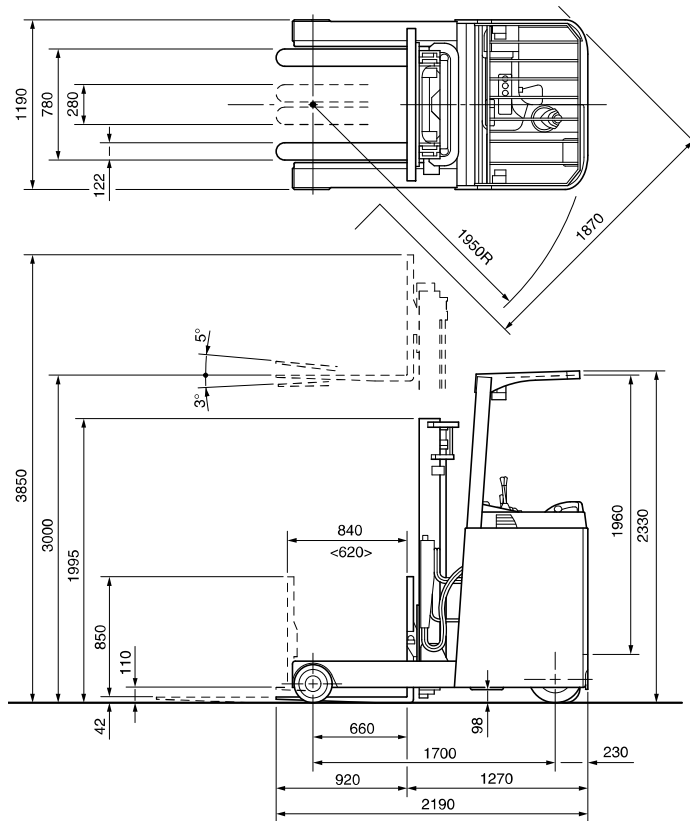
SPECIAL MAST

Wide Visible Mast (SV), Wide Visible Full-Free Lift Two-Stage Mast (FV),
Wide Visible Full-Free Lift Three-Stage Mast (FSV)

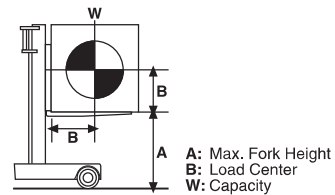
Model			7FBR20			
Type of Mast			SV	FV	FSV	
PERFORMANCE						
Speeds	Lifting	Full Load	mm/sec	300	280	280
		No Load	mm/sec	500	450	450
	Lowering	Full Load	mm/sec	500	480	480
		No Load	mm/sec	450	400	430
Reach Stroke			mm	660	545	545
DIMENSIONS						
Load Distance (Centerline of front axle to front face of forks)			mm	480	365	365
Overall Length (to Top of Forks)			mm	2170	2285	2285
Overall Width			mm	1190	1190	1190
Turning Radius (Outside)			mm	1750	1750	1750
Intersecting Aisle Width			mm	1770	1770	1770

DIMENSIONAL DRAWINGS 7FBR25

Unit: mm



RATED CAPACITIES 7FBR25



V, SV, FV Mast Unit: kg (W)

A (mm)	4000	4500	5000	
500	2500	2400	2300	
600	2180	2090	2010	
700	1930	1850	1780	
800	1730	1670	1600	
B (mm)	900	1570	1510	1450
	1000	1440	1380	1330
	1100	1330	1280	1220
	1200	1230	1180	1130
	1300	1150	1100	1060

REACH LEGS HEIGHT

7FBR25 283

UNDERCLEARANCE

Center of Wheelbase (Full Load) 98
Rear Frame (Full Load) 90

NOTE: < > is data for when equipped with the 5000 mm V or SV mast.

SPECIAL MAST

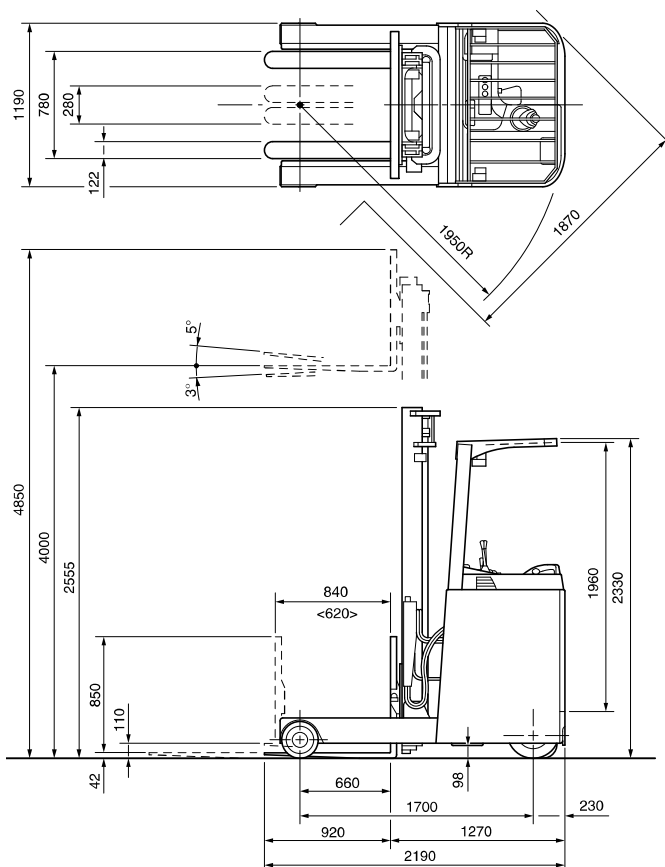
Wide Visible Mast (SV), Wide Visible Full-Free Lift Two-Stage Mast (FV)

Model		7FBR25		
Type of Mast		SV	FV	
PERFORMANCE				
Speeds	Lifting	Full Load mm/sec	280	260
		No Load mm/sec	500	450
	Lowering	Full Load mm/sec	500	480
		No Load mm/sec	450	400
Reach Stroke		mm	840 <620>	755
DIMENSIONS				
Load Distance (Centerline of front axle to front face of forks)		mm	660	575
Overall Length (to Top of Forks)		mm	2190	2275
Overall Width		mm	1190	1190
Turning Radius (Outside)		mm	1950	1950
Intersecting Aisle Width		mm	1870	1870

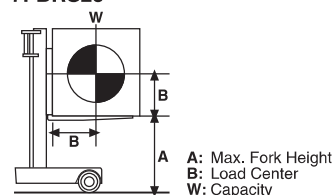
NOTE: < > is data for when equipped with the 5000 mm V or SV mast.

DIMENSIONAL DRAWINGS 7FBR25

Unit: mm



RATED CAPACITIES 7FBR25



V, SV, FV Mast Unit: kg (W)

A (mm)	5000
500	2500
600	2180
700	1930
800	1730
900	1570
1000	1440
1100	1330
1200	1230
1300	1150

FSV Mast Unit: kg (W)

A (mm)	5000	5500	6000
500	2500	2250	2100
600	2180	1960	1830
700	1930	1740	1620
800	1730	1560	1460
900	1570	1420	1320
1000	1440	1300	1210
1100	1330	1200	1120
1200	1230	1110	1030
1300	1150	1030	960

REACH LEGS HEIGHT

7FBR25 283

UNDERCLEARANCE

Center of Wheelbase (Full Load) 98
Rear Frame (Full Load) 90

NOTE: < > is data for when equipped with the 5000 mm V or SV mast.

SPECIAL MAST

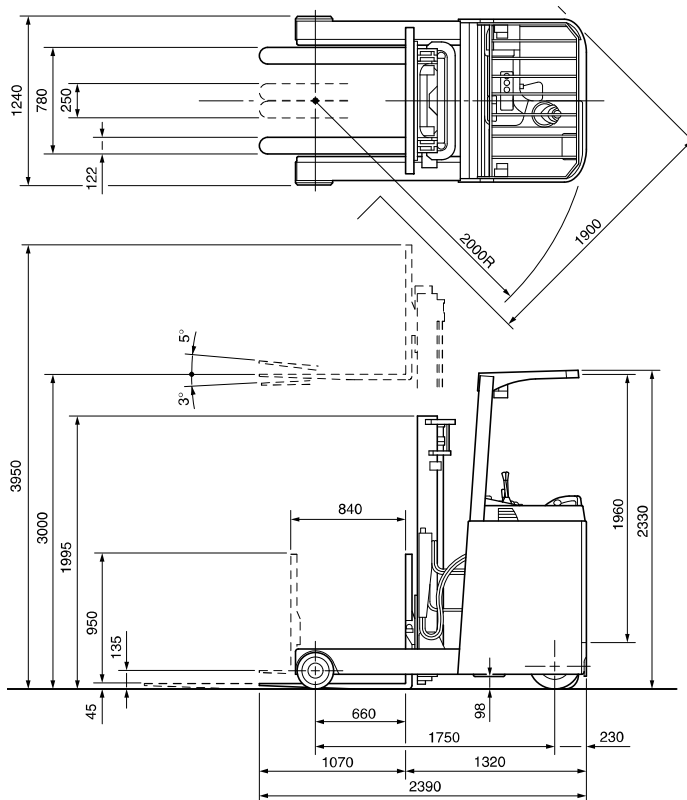
Wide Visible Mast (SV), Wide Visible Full-Free Lift Two-Stage Mast (FV),
Wide Visible Full-Free Lift Three-Stage Mast (FSV)

Model			7FBR25			
Type of Mast			SV	FV	FSV	
PERFORMANCE						
Speeds	Lifting	Full Load	mm/sec	280	260	260
		No Load	mm/sec	500	450	450
	Lowering	Full Load	mm/sec	500	480	480
		No Load	mm/sec	450	400	430
Reach Stroke			mm	840 <620>	755	755
DIMENSIONS						
Load Distance (Centerline of front axle to front face of forks)			mm	660	575	575
Overall Length (to Top of Forks)			mm	2190	2275	2275
Overall Width			mm	1190	1190	1190
Turning Radius (Outside)			mm	1950	1950	1950
Intersecting Aisle Width			mm	1870	1870	1870

NOTE: < > is data for when equipped with the 5000 mm V or SV mast.

DIMENSIONAL DRAWINGS 7FBR30

Unit: mm



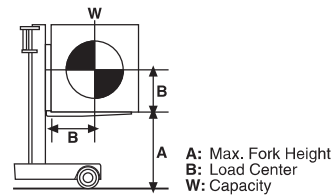
REACH LEGS HEIGHT

7FBR30 283

UNDERCLEARANCE

Center of Wheelbase (Full Load) 98
Rear Frame (Full Load) 90

RATED CAPACITIES 7FBR30



V, SV Mast Unit: kg (W)

A (mm)	4000	4500	5000	
500	3000	2900	2800	
600	2620	2530	2440	
700	2320	2240	2160	
800	2080	2010	1940	
B (mm)	900	1890	1830	1760
	1000	1730	1670	1610
	1100	1590	1540	1490
	1200	1480	1430	1380
	1300	1380	1330	1290

FSV Mast Unit: kg (W)

A (mm)	4500	4700	5000	5500	6000	
500	3000	2850	2750	2400	2150	
600	2620	2480	2400	2090	1870	
700	2320	2200	2130	1850	1660	
800	2080	1980	1910	1670	1490	
B (mm)	900	1890	1790	1730	1510	1350
	1000	1730	1640	1580	1380	1240
	1100	1590	1510	1460	1280	1140
	1200	1480	1400	1360	1180	1060
	1300	1380	1310	1260	1100	990

SPECIAL MAST

Wide Visible Mast (SV),
Wide Visible Full-Free Lift Three-Stage Mast (FSV)

Model			7FBR30		
Type of Mast			SV	FSV	
PERFORMANCE					
Speeds	Lifting	Full Load	mm/sec	220	210
		No Load	mm/sec	420	360
	Lowering	Full Load	mm/sec	500	460
		No Load	mm/sec	450	400
Reach Stroke			mm	840	755
DIMENSIONS					
Load Distance (Centerline of front axle to front face of forks)			mm	660	575
Overall Length (to Top of Forks)			mm	2390	2475
Overall Width			mm	1240	1240
Turning Radius (Outside)			mm	2000	2000
Intersecting Aisle Width			mm	1900	1900

MAST SPECIFICATIONS & RATED CAPACITIES

Wide Visible Mast (V), Wide Visible Mast (SV), Wide Visible Full-Free Lift Two-Stage Mast (FV),
Wide Visible Full-Free Lift Three-Stage Mast (FSV)

7FBR20

Mast Type	Maximum Fork Height	Overall Mast Height			Free Lift		Tilt Range		Load Capacity at 500 mm LC
		Lowered	Extended		Without Load Backrest	With Standard Load Backrest	Down	Up	
			Without Load Backrest	With Standard Load Backrest					
mm	mm	mm	mm	mm	mm	deg	deg	kg	
V	2500	1745	—	3350	—	110	3	5	2000
	2700	1845	—	3550	—	110	3	5	2000
	3000	1995	—	3850	—	110	3	5	2000
	3300	2145	—	4150	—	110	3	5	2000
	3500	2245	—	4350	—	110	3	5	2000
	3700	2405	—	4550	—	110	3	5	2000
	4000	2555	—	4850	—	110	3	5	2000
	5000	3095	—	5850	—	110	3	5	1800
SV	2500	1745	—	3350	—	390	3	5	2000
	2700	1845	—	3550	—	390	3	5	2000
	3000	1995	—	3850	—	390	3	5	2000
	3300	2145	—	4150	—	390	3	5	2000
	3500	2245	—	4350	—	390	3	5	2000
	3700	2405	—	4550	—	510	3	5	2000
	4000	2555	—	4850	—	510	3	5	2000
	5000	3095	—	5850	—	510	3	5	1800
FV	3000	1995	3615	3850	1180	1145	3	5	2000
	3300	2145	3915	4150	1330	1295	3	5	2000
	3500	2245	4115	4350	1430	1395	3	5	2000
	3700	2405	4315	4550	1590	1555	3	5	2000
	4000	2555	4615	4850	1740	1705	3	5	2000

NOTE: Height of standard load backrest is 850 mm.
without load backrest is standard on FV mast.

7FBRS20

Mast Type	Maximum Fork Height	Overall Mast Height			Free Lift		Tilt Range		Load Capacity at 500 mm LC
		Lowered	Extended		Without Load Backrest	With Standard Load Backrest	Down	Up	
			Without Load Backrest	With Standard Load Backrest					
mm	mm	mm	mm	mm	mm	deg	deg	kg	
V	3500	2245	—	4350	—	110	3	5	2000
	3700	2405	—	4550	—	110	3	5	2000
	4000	2555	—	4850	—	110	3	5	2000
	4500	2845	—	5350	—	110	3	5	2000
	5000	3095	—	5850	—	110	3	5	2000
SV	3500	2245	—	4350	—	390	3	5	2000
	3700	2405	—	4550	—	510	3	5	2000
	4000	2555	—	4850	—	510	3	5	2000
	4500	2845	—	5350	—	510	3	5	2000
	5000	3095	—	5850	—	510	3	5	2000
FV	3500	2245	4115	4350	1430	1395	3	5	2000
	3700	2405	4315	4550	1590	1555	3	5	2000
	4000	2555	4615	4850	1740	1705	3	5	2000
FSV	4300	1965	—	5150	—	1115	3	5	2000
	4500	2035	—	5350	—	1185	3	5	2000
	4700	2115	—	5550	—	1265	3	5	2000
	5000	2215	—	5850	—	1365	3	5	2000
	5500	2375	—	6350	—	1525	3	5	1850
	6000	2565	—	6850	—	1715	3	5	1750

NOTE: Height of standard load backrest is 850 mm.
without load backrest is standard on FV mast.

MAST SPECIFICATIONS & RATED CAPACITIES

Wide Visible Mast (V), Wide Visible Mast (SV), Wide Visible Full-Free Lift Two-Stage Mast (FV),
Wide Visible Full-Free Lift Three-Stage Mast (FSV)

7FBR25

Mast Type	Maximum Fork Height	Overall Mast Height			Free Lift		Tilt Range		Load Capacity at 500 mm LC
		Lowered	Extended		Without Load Backrest	With Standard Load Backrest	Down	Up	
			Without Load Backrest	With Standard Load Backrest					
		mm	mm	mm	mm	mm	mm	deg	
V	2500	1745	—	3350	—	110	3	5	2500
	2700	1845	—	3550	—	110	3	5	2500
	3000	1995	—	3850	—	110	3	5	2500
	3300	2145	—	4150	—	110	3	5	2500
	3500	2245	—	4350	—	110	3	5	2500
	3700	2405	—	4550	—	110	3	5	2500
	4000	2555	—	4850	—	110	3	5	2500
	5000	2845	—	5350	—	110	3	5	2400
SV	2500	1745	—	3350	—	390	3	5	2500
	2700	1845	—	3550	—	390	3	5	2500
	3000	1995	—	3850	—	390	3	5	2500
	3300	2145	—	4150	—	390	3	5	2500
	3500	2245	—	4350	—	390	3	5	2500
	3700	2405	—	4550	—	510	3	5	2500
	4000	2555	—	4850	—	510	3	5	2500
	5000	2845	—	5350	—	510	3	5	2400
FV	3000	1995	3615	3850	1180	1145	3	5	2500
	3300	2145	3915	4150	1330	1295	3	5	2500
	3500	2245	4115	4350	1430	1395	3	5	2500
	3700	2405	4315	4550	1590	1555	3	5	2500
	4000	2555	4615	4850	1740	1705	3	5	2500

NOTE: Height of standard load backrest is 850 mm.
without load backrest is standard on FV mast.

7FBRS25

Mast Type	Maximum Fork Height	Overall Mast Height			Free Lift		Tilt Range		Load Capacity at 500 mm LC
		Lowered	Extended		Without Load Backrest	With Standard Load Backrest	Down	Up	
			Without Load Backrest	With Standard Load Backrest					
		mm	mm	mm	mm	mm	mm	deg	
V	3500	2245	—	4350	—	110	3	5	2500
	3700	2405	—	4550	—	110	3	5	2500
	4000	2555	—	4850	—	110	3	5	2500
	4500	2845	—	5350	—	110	3	5	2500
	5000	3095	—	5850	—	110	3	5	2500
SV	3500	2245	—	4350	—	390	3	5	2500
	3700	2405	—	4550	—	510	3	5	2500
	4000	2555	—	4850	—	510	3	5	2500
	4500	2845	—	5350	—	510	3	5	2500
	5000	3095	—	5850	—	510	3	5	2500
FV	3300	2145	3915	4150	1330	1295	3	5	2500
	3500	2245	4115	4350	1430	1395	3	5	2500
	3700	2405	4315	4550	1590	1555	3	5	2500
	4000	2555	4615	4850	1740	1705	3	5	2500
FSV	4300	1965	—	5150	—	1120	3	5	2500
	4500	2035	—	5350	—	1190	3	5	2500
	4700	2115	—	5550	—	1270	3	5	2500
	5000	2215	—	5850	—	1370	3	5	2500
	5500	2375	—	6350	—	1530	3	5	2250
	6000	2565	—	6850	—	1720	3	5	2100

NOTE: Height of standard load backrest is 850 mm.
without load backrest is standard on FV mast.

MAST SPECIFICATIONS & RATED CAPACITIES

Wide Visible Mast (V), Wide Visible Mast (SV),
Wide Visible Full-Free Lift Three-Stage Mast (FSV)

7FBR30

Mast Type	Maximum Fork Height	Overall Mast Height			Free Lift		Tilt Range		Load Capacity at 500 mm LC
		Lowered	Extended		Without Load Backrest	With Standard Load Backrest	Down	Up	
			Without Load Backrest	With Standard Load Backrest					
		mm	mm	mm	mm	mm	mm	deg	
V	2500	1745	-	3450	-	135	3	5	3000
	2700	1845	-	3650	-	135	3	5	3000
	3000	1995	-	3950	-	135	3	5	3000
	3300	2145	-	4250	-	135	3	5	3000
	3500	2245	-	4450	-	135	3	5	3000
	3700	2405	-	4650	-	135	3	5	3000
	4000	2595	-	4950	-	135	3	5	3000
	4500	2845	-	5450	-	135	3	5	2900
	5000	3095	-	5950	-	135	3	5	2800
	SV	2500	1745	-	3450	-	365	3	5
2700		1845	-	3650	-	365	3	5	3000
3000		1995	-	3950	-	365	3	5	3000
3300		2145	-	4250	-	365	3	5	3000
3500		2245	-	4450	-	365	3	5	3000
3700		2405	-	4650	-	365	3	5	3000
4000		2595	-	4950	-	365	3	5	3000
4500		2845	-	5450	-	365	3	5	2900
5000		3095	-	5950	-	365	3	5	2800
FSV		4300	2115	-	5250	-	1170	3	5
	4500	2165	-	5450	-	1220	3	5	3000
	4700	2215	-	5650	-	1270	3	5	2850
	5000	2375	-	5950	-	1430	3	5	2750
	5500	2565	-	6450	-	1618	3	5	2400
	6000	2815	-	6950	-	1868	3	5	2150

NOTE: Height of standard load backrest is 950 mm.

7FBR10.13.15.18.20.25.30 7FBRS20.25

INDEX: ○ Standard
● Available

STANDARD EQUIPMENT

7FBR10.13.15.18..20.25.30, 7FBRS20.25

● Wide Visible Mast (V) [MFH: 3000 mm (7FBR10.13.15.18.20.25.30)] [MFH: 4000 mm (7FBRS20.25)] ● Shaft type forks ● Load backrest (V, SV and FSV) [Height: 850 mm (7FBR10.13.15.18, 7FBRS20.25)] [Height: 950 mm (7FBR30)] ● Load backrest (V and SV) [Height: 850 mm (7FBR20.25)] ● Operator Presence Sensing System (OPS) ● Easy-down system (V and SV mast) ● Digital multifunction display ● Traction & Brake Control (All models: Traction control, Front-assist brake system, Stable suspension control) ● Power select function ● Power keep function ● Electric horn ● Overhead guard ● Emergency unplug lever ● Electric power steering (EPS) ● Adjustable waist support with assist grip ● Arm pad

OPTIONS AVAILABILITY CHART

Item	Model Code	7FBR	7FBR	7FBR	7FBR	7FBR	7FBR	7FBR	7FBR	7FBR
		10	13	15	18	20	25	30	20	25
LOAD HANDLING										
Wide Visible Mast (SV)	w. Backrest	★	M00C*	●	●	●	●	●	●	●
Full-free Lift 2-stage Mast (FV)	w/o Backrest	1) ★	M00F*	●	●	●	●	●	●	●
Full-free Lift 3-stage Mast (FSV)	w. Backrest	★	M00D*	●	●	●	●	●	●	●
Fully Oil Charged Lift Cylinder		2) ☆★	M09A	●	●	●	●	●	●	●
Long Forks		☆	M20A*	●	●	●	●	●	●	●
Bar Type Forks		3) ☆	M31B	●	●	●	●	●	○	●
High Load Backrest (Flat Steel Type)		☆★	M40A*	●	●	●	●	●	●	●
Reinforced High Load Backrest (Angle Shape Type)		4) ☆★	M40B*	●	●	●	●	●	●	●
Long Backrest (Flat Steel Type)		5) ☆	M42A*	●	●	●	●	●	●	●
Reinforced Long Backrest (Angle Shape Type)		6) ☆	M42B*	●	●	●	●	●	●	●
w/o Backrest		★	M40N	●	●	●	●	●	●	●
High Load Backrest When Ordering FV Mast		★	M41B	●	●	●	●	●	●	●
Laser Marker		7) ★	M67A	●	●	●	●	●	●	●
BATTERY AND CONTROLLER										
Battery (Wet Cell)		☆★	D00C*	●	●	●	●	●	●	●
Battery (Dry Cell)		☆★	D00Q*	●	●	●	●	●	●	●
Local Battery		★	D03C	●	●	●	●	●	●	●
Spare Battery (Wet Cell)		★	D20A	●	●	●	●	●	●	●
Spare Battery (Dry Cell)		★	D20J	●	●	●	●	●	●	●
Battery Brand (GS Yuasa)		★	D30A	●	●	●	●	●	●	●
Battery Brand (Kobe)		★	D30B	●	●	●	●	●	●	●
Side Pull-out Battery		★	D56D	●	●	●	●	●	●	●
Battery Case		★	D80B	●	●	●	●	●	●	●
Battery Hanger		★	D46A	●	●	●	●	●	●	●
Battery Stand		★	D45C	●	●	●	●	●	●	●
Battery Carrier	w/o Height-adjust System	★	D45D	●	●	●	●	●	●	●
Battery Carrier	w. Height-adjust System	★	D45F	●	●	●	●	●	●	●
Battery Charger	On Truck Type	☆★	C30E	●	●	●	●	●	●	●
Battery Charger	Off Truck Type	☆★	C30L/M	●	●	●	●	●	●	●
Single Overall Electrolyte Filler Ports		★	D40A	●	●	●	●	●	●	●
LIGHT AND INDICATORS										
Headlights		★	J24A	●	●	●	●	●	●	●
LED Headlight		★	J24L	●	●	●	●	●	●	●
Turn Signal Lights		★	J03A	●	●	●	●	●	●	●
Rear Working Light		★	J26A	●	●	●	●	●	●	●
Back-up Light		★	J23A	●	●	●	●	●	●	●
Search Light		★	J28A	●	●	●	●	●	●	●
Reading Lamp		★	J37A	●	●	●	●	●	●	●
Yellow Beacon On The Overhead Guard		★	J19A	●	●	●	●	●	●	●
LED Yellow Beacon On The Overhead Guard		★	J19S	●	●	●	●	●	●	●
Forward Chime		★	K22A	●	●	●	●	●	●	●
Back-up Chime		★	K21C	●	●	●	●	●	●	●
Forward & Back-up Chime		★	K21A	●	●	●	●	●	●	●
Back-up Buzzer		★	K21D	●	●	●	●	●	●	●
Digital Multifunction Display (All Round Type)		8) ★	L09B	●	●	●	●	●	●	●
Digital Multifunction Display (All Round Type w/ Load Meter)		8) ★	L09C	●	●	●	●	●	●	●

INDEX: ○ Standard
● Available

OPTIONS AVAILABILITY CHART

Item	Model		7FBR 10	7FBR 13	7FBR 15	7FBR 18	7FBR 20	7FBR 25	7FBR 30	7FBR 20	7FBR 25
	Code										
BODY											
Multifunction Lever	9)	★	E15A			●	●				
Rear-view Mirror	Left Side	★	J10E	●	●	●	●	●	●	●	●
Oval Type	Right & Left Sides	★	J10F	●	●	●	●	●	●	●	●
Overhead Guard Sheet		★	H01B	●	●	●	●	●	●	●	●
Resin Roof		★	H01E	●	●	●	●	●	●	●	●
Rubber Bumper Rear		★	K29A	●	●	●	●				
Instrument Panel Guard (w/ Reinforced Left Hand Body)		★	K58A	●	●	●	●				
Reinforced Left Hand Body		★	K58B	●	●	●	●				
Operator Side Protector		★	K59A	●	●	●	●	●	●	●	●
Hand Protector			K31A	●	●	●	●				
Document Box w/ Magnet		★	S04A	●	●	●	●	●	●	●	●
Storage Box w/ Cup Holder		★	S05A	●	●	●	●	●	●	●	●
A4-size Binder w/ Magnet		★	S06A	●	●	●	●	●	●	●	●
A4-size Binder w/ Clear Cover		★	S06B	●	●	●	●	●	●	●	●
Name Plate	10)		S31A	●	●	●	●	●	●	●	●
OPS Decal			S35A	●	●	●	●	●	●	●	●
CHASSIS											
Bumper Type Sub-weight	11)	★	G33B	●	●	●	●	●	●	●	●
Bumper Type Sub-weight (70 kg)		★	G33C	●	●	●	●				
WHEELS AND TIRES											
Drive Tire	Rubber Tire	12)13)	☆	F92G	○	○	○	○	○	○	○
	White Rubber Tire	12)	☆	F92C	●	●	●	●	●	●	●
	Green Rubber Tire	12)	☆	F92K	●	●	●	●	●	●	●
	Rubber w/ Lug Tread Pattern Tire	12)	☆	F92F	●	●	●	●	●	●	●
	Urethane Tire	12)	☆	F92A	●	●	●	●	●	●	●
	Urethane w/ Wire Mesh Tire	12)	☆	F92B	●	●	●	●	●	●	●
	Urethane Tire (Long Life)	12)	☆	F92L	●	●	●	●	●	●	●
Load Tire	High-Grip Tire	12)	☆	F92J	●	●	●	●	●	●	●
	Rubber Tire		☆	F93E	○	○					
	Wide Rubber Tire		☆	F93G	●	●	●	●			
	Urethane with Peripheral Grooves Tire	14)	☆	F93D	●	●	●	●	●	●	●
Caster	Urethane Tire		☆	F93C	●	●	○	○	○	○	○
	Rubber Tire		☆	F91C	○	○	○	○	○	○	○
	White Rubber Tire		☆	F91B	●	●	●	●	●	●	●
	Green Rubber Tire		☆	F91E	●	●	●	●			
	Urethane Tire		☆	F91A	●	●	●	●	○	●	●
SPECIAL MODELS											
China Certification Spec.	15)	★	A10R	●	●	●	●	●	●	●	●
Australian Spec.		★	A20B	●	●	●	●	●	●	●	●
Russian Spec.		★	A20C	●	●	●	●	●	●	●	●
New Zealand Spec.		★	A20O	●	●	●	●	●	●	●	●
Canadian Spec.		★	A20P	●	●	●	●	●	●	●	●
China Spec.		★	A20R	●	●	●	●	●	●	●	●
Unit Indication, mm/kg			A95B	○	○	○	○	○	○	○	○
Cold-storage Model (Type 45S)	16)	★	B30E	●	●	●	●	●	●	●	●
Rust-proof Model		★	B30H	●	●	●	●	●	●	●	●
Dust-proof Model		★	B21A	●	●	●	●				
Cold Area Package		★	B01A	●	●	●	●	●	●	●	●

NOTE:

- 1) High Load Backrest is not equipped on FV mast. Must specify M41B when selecting High Load Backrest.
- 2) Standard on FV mast and B30E (Not necessary to specify).
- 3) When A4 piping is selected, bar-type forks are installed. Bar-type forks is standard for 2 ton series FV and FSV mast.
- 4) Must enter together with M42B. Cannot be combined with E61, A331.
- 5) Only 850 and 1070 backrest heights are available for 1370 and 1520 mm.
- 6) Must enter together with M40B. Cannot be combined with E61, A331.
- 7) Not available on V, SV mast at a maximum fork height 2700 mm or less. Not available on FSV mast at a maximum fork height 3700 mm or less. Not available on FV mast. Not available with A405, A450.
- 8) Includes Wheel Indicator.
- 9) Only E61 is available. Cannot be combined with FV Mast and E61.
- 10) Available for English, Spanish, Chinese, French, and Taiwanese.
- 11) 7FBR10.13.15.18 are 30kg. 7FBR20.25.30, 7FBR20.25 are 85 kg.
- 12) When B30E is selected, also select one of the eight types of available drive tires.
- 13) Only available when selecting B30E (Standard on all other models).
- 14) Standard on B30E (Not necessary to specify).
- 15) Must specify A20R.
- 16) Includes B01A (Not necessary to specify).
- ★ Please see the "Matching Options".
- ☆ Please see the chart below for the items.

FULLY OIL CHARGED LIFT CYLINDER

Model	Mast Type
7FBR10.13.15.18.20.25.30 7FBR20.25	V ●
	SV ●
	FV ○
	FSV ●

MAST INTERCHANGEABILITY

Mast Type	Wide Visible Mast (V)	Wide Visible Mast (SV)	Wide Visible Full-Free Lift Two-Stage Mast (FV)	Wide Visible Full-Free Lift Three-Stage Mast (FSV)
7FBR10.13.15.18	●	●	●	●
7FBR20.25	●	●	●	●
7FBR30	●	●		●
7FBR20.25	●	●	●	●

NOTE: ● Mast may be interchanged with models within the same group.

INDEX: ○ Standard
● Available

MAST WEIGHT

Mast Type	Maximum Fork Height mm	Model				
		7FBR10.13	7FBR15.18	7FBR20.25	7FBRS20.25	7FBR30
		kg	kg	kg	kg	kg
V	2500	420	430	550	—	650
	2700	430	440	560	—	670
	3000	450	460	580	—	690
	3300	470	480	600	—	720
	3500	490	500	620	620	740
	3700	510	520	640	640	760
	4000	520	530	650	650	790
	4500	580	590	710	710	840
5000	610	620	740	740	890	
SV	2500	430	440	560	—	660
	2700	440	450	570	—	680
	3000	460	470	590	—	700
	3300	480	490	610	—	730
	3500	500	510	630	630	750
	3700	520	530	650	650	770
	4000	530	540	660	660	800
	4500	590	600	720	720	850
5000	620	630	750	750	900	
FV	2500	460	470	—	—	—
	2700	470	480	—	—	—
	3000	490	500	620	—	—
	3300	510	520	640	—	—
	3500	520	530	660	650	—
	3700	530	540	670	660	—
4000	550	560	690	680	—	
FSV	3700	650	660	—	—	—
	4000	670	680	—	—	—
	4300	690	700	—	910	1020
	4500	700	710	—	930	1040
	4700	710	720	—	950	1060
	5000	730	740	—	980	1090
	5500	760	770	—	1020	1170
	6000	820	830	—	1090	1220

CAUTION:
The figures are without load backrest and forks.
The figures presented in this chart have been rounded off to the nearest number.
Use caution when applying them to specific products.

LONG FORKS

Model	Length	Width	Thickness	Unit: mm	
				Long Forks	
7FBR10	770	100	30	○	
	850			●	
	920			●	
	1070			●	
	1220			●*	
7FBR13	850	100	30	○	
	920			●	
	1070			●	
	1220			●*	
7FBR15	850	100	35	○	
	920			●	
	1070			●	
	1220			●	
7FBR18	850	100	35	○	
	920			●	
	1070			●	
	1220			●	
7FBR20 7FBRS20	920	122	38	○	
	1070			●	
	1220			●	
	1370			●	
	1520			●	
7FBR25 7FBRS25	920	122	42	○	
	1070			●	
	1220			●	
	1370			●	
7FBR30	1520	122	45	○	
	1070			●	
	1220			●	
	1370			●	
	1520			●	

NOTE: * Fork thickness is 35 mm.

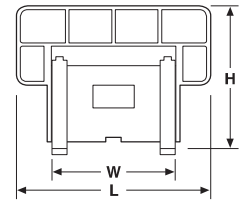
LONG BACKREST AND HIGH LOAD BACKREST

Flat Steel Type		Unit: mm		
Model	7FBR10.13.15.18			
L	1020	1370	1520	
H	W	730	730	730
850	○	●	●	
1070	●	●	●	
1220	●			
1370	●			
1520	●			

Flat Steel Type		Unit: mm	
Model	7FBR20.25 7FBRS20.25		
L	1160		
H	W	780	
850	○		
1000	●		
1100	●		
1200	●		
1300	●		
1400	●*		
1500	●*		

Flat Steel Type		Unit: mm	
Model	7FBR30		
L	1160		
H	W	780	
950	○		
1100	●		
1200	●		
1300	●		
1400	●*		
1500	●*		
1600	●*		

NOTE: * The "Tilt Range (BWD)" is 4°.



L: Outside width of load backrest
W: Length of forkbar
H: Height of load backrest

Reinforced High Load Backrest (Angle Shape Type)			Unit: mm
Model	7FBR10.13.15.18		
L	950	1020	
H	W	730	730
1150	○		
1250	●		

NOTE:
When B30E is selected on the 7FBR20.25.30, 7FBRS20.25, angle shape type backrest is equipped.

AVAILABILITY OF BATTERY CHARGER**Off-Truck Type (GS YUASA)**

Battery Voltage V	Battery Capacity AH/5HR	AC Input Voltage V	AC Power Supply Capacity A		kVA of Charger		7FBR10	7FBR13	7FBR15	7FBR18	7FBR20	7FBRS 20	7FBR25	7FBRS 25	7FBR30	
			50Hz	60Hz	50Hz	60Hz										
48	201-225	200	15	15	4.3	3.8	●	●								
	280-320	200	20	20	5.4	4.7			●	●	●	●	●			
	370-445	200	30	20	7.3	6.5			●	●	●	●	●	●		●
	201-225	400	10	10	4.3	3.8	●	●								
	280-320	400	10	10	5.4	4.7			●	●	●	●	●	●		
	370-445	400	15	10	7.3	6.5			●	●	●	●	●	●	●	●

NOTE: 1. The indicated input voltage means the available range of three-phase AC input voltages applied to the battery charger: 200V denotes the range of 200 to 230V and 400V the range of 340 to 460V, respectively.
2. In AC power sources where there is appreciable variance between the rated and the measured line voltage values, be sure to measure actual input voltage to a battery charger and then order it with correct power requirements for operation. Usually re-charging is done at night when incoming voltage is relatively high without line voltage drops, and it is a good practice, therefore, to measure the line voltage at night.

On-Truck Type

Battery Voltage V	Battery Capacity AH/5HR	AC Input Voltage V	AC Power Supply Capacity A		kVA of Charger		7FBR10	7FBR13	7FBR15	7FBR18	7FBR20	7FBRS 20	7FBR25	7FBRS 25	7FBR30	
			50Hz	60Hz	50Hz	60Hz										
48	201-225	200	10	10	2.7	2.7	●	●								
	280-312	200	15	15	3.6	3.6			●	●						
	370	200	15	15	4.5	4.5			●	●						
	312-320	200	15	15	3.6	3.6					●	●	●	●		
	390-445	200	20	20	5.2	5.2					●	●	●	●	●	●

NOTE: The indicated input voltage means the available range of three-phase AC input voltages applied to the battery charger: 200V denotes the range of 200 to 230V.

BATTERY AVAILABILITY (GS YUASA, KOBE)

Model	Battery		
	V	AH/HR	
7FBR10.13	48	201/5 *	●
		225/5	●
		280/5 *	●
7FBR15.18	48	312/5	●
		370/5	●
		320/5	●
7FBR20.25 7FBRS20	48	390/5	●
		445/5 (435/5)	●
		390/5	●
7FBRS25	48	445/5 (435/5)	●
			●
7FBR30	48	445/5 (435/5)	●

NOTE: * Dry battery available.
() for KOBE make battery.

TIRE AVAILABILITY

Model	Tire Arrangement	Tire Size	Solid Cushion Tire												
			Rubber	White Rubber	Wide Rubber	Green Rubber	Rubber with Lug Tread Pattern	Urethane	Urethane with Peripheral Grooves	Urethane with Wire Mesh	Urethane (Long Life)	High-Grip Rubber			
7FBR10.13	Load	260x120	○												
		257x152			●										
	254x120						●		●						
	Drive	330x145	○	●		●	●	●	●		●	●	●	●	
Caster	150x80	○	●		●	●	●	●		●	●	●	●		
7FBR15.18	Load	254x120							○	●					
		257x152			●										
	Drive	330x145	○	●		●	●	●	●		●	●	●		
	Caster	150x80	○	●		●	●	●	●		●	●	●		
7FBR20.25 7FBRS20.25	Load	267x127							○	●					
		380x145	○	●		●	●								
	Drie	370x145							●		●	●			
	Caster	204x76	○						●				●		
7FBR30	Load	267x150							○	●					
		380x145	○	●		●	●								
	Drie	370x145							●		●	●			
	Caster	204x76	○						○				●		

SPECIFICATIONS OF BATTERY AND BATTERY CASE

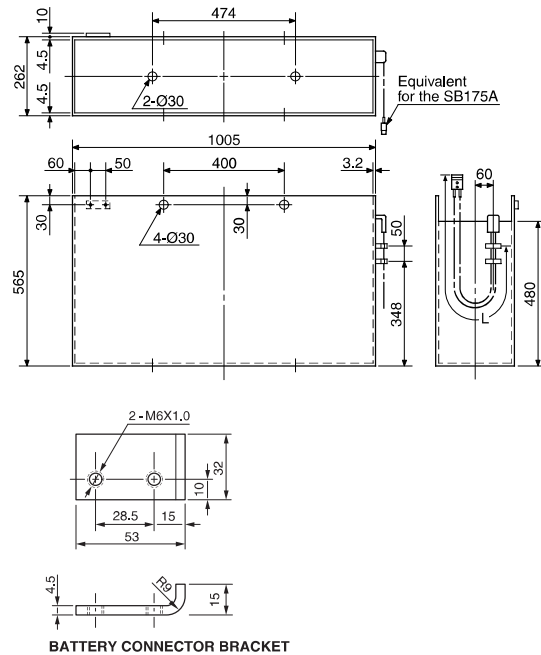
The "minimum weight of battery with case" indicated in the table is the lightest weight of the battery required to satisfy stability requirements of the vehicle in which it is installed.

Specifications (GS YUASA)

Model		7FBR10		7FBR13		7FBR15			7FBR18		
Vehicle Weight without Battery	kg	1680		1700		1730			1810		
Minimum Weight of Battery with Case	kg	350		350		465			465		
Dimensions of Battery Compartment	Width	mm		1007		1007			1007		
	Length	mm		266		266			376		
	Height	mm		570		570			570		
Battery Connector Type		Anderson SB175A (2 Prong)		Anderson SB175A (2 Prong)		Anderson SB175A (2 Prong)			Anderson SB175A (2 Prong)		
Truck Voltage	V	48		48		48			48		
Number of Cells	pcs	24		24		24			24		
Ampere-Hour Capacity	AH/HR	201/5	225/5	201/5	225/5	280/5	312/5	370/5	280/5	312/5	370/5
	Total Height	mm		521 550		521 550 550			521 550 550		
Specs. of Cell	Overall Dimensions	Container Height	mm	490	519	490	519	490	519	490	519
	Length	mm	60	60	60	60	90	90	90	90	90
	Width	mm	158	158	158	158	158	158	158	158	158
	Weight of Filled Cell	Approx. kg	12.0	12.5	12.0	12.5	16.5	19.0	21.0	16.5	19.0
Quantity of Electrolyte	Approx. liter	2.4	2.5	2.4	2.5	3.9	4.0	4.1	3.9	4.0	4.1
Weight	Case	kg		41 41		49 49 49			49 49 49		
	Total (Battery)	kg		350 350		465 512 560			465 512 560		
Operating Time (S mode)		3h25m	3h35m	2h50m	3h20m	4h20m	5h00m	6h05m	4h05m	4h40m	5h45m

Dimensions of Battery Case 7FBR10.13

BATTERY CAPACITY : 201AH/5HR, 48V
225AH/5HR, 48V

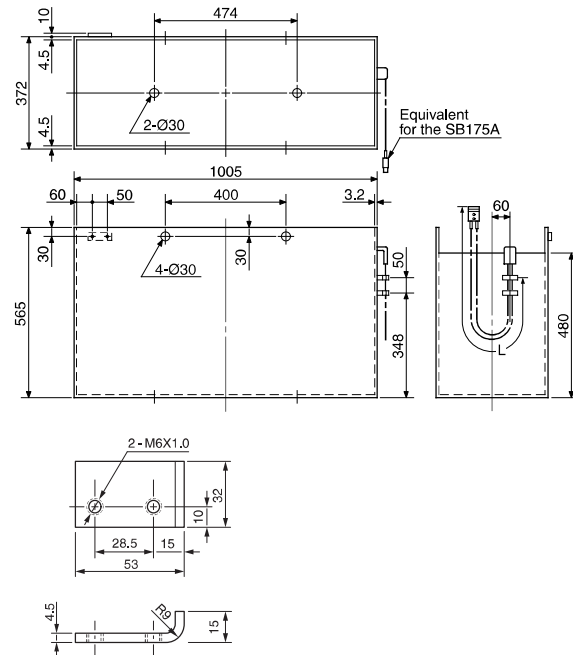


BATTERY CONNECTOR BRACKET

7FBR15.18

BATTERY CAPACITY : 280AH/5HR, 48V
312AH/5HR, 48V
370AH/5HR, 48V

Unit: mm



BATTERY CONNECTOR BRACKET

	Connector Length (L)	
	7FBR10.13	7FBR15.18
Positive Cable	1120	1140
Negative Cable	1200	1220

SPECIFICATIONS OF BATTERY AND BATTERY CASE

The "minimum weight of battery with case" indicated in the table is the lightest weight of the battery required to satisfy stability requirements of the vehicle in which it is installed.

Specifications (GS YUASA)

Model		7FBR20			7FBR25			7FBR30			7FBR20.25.30, 7FBR20.25		
Vehicle Weight without Battery	kg	1880			2310			2270			2335		
Minimum Weight of Battery with Case	kg	590			590			590			685		
Dimensions of Battery Compartment	Width	1152			1152			1152			1152		
	Length	407			407			407			407		
	Height	575			575			575			575		
Battery Connector Type		Anderson SB175A (2 Prong)			Anderson SB175A (2 Prong)			Anderson SB175A (2 Prong)			Anderson SB175A (2 Prong)		
Truck Voltage	V	48			48			48			48		
Number of Cells	pcs	24			24			24			24		
Ampere-Hour Capacity	AH/HR	320/5	390/5	445/5	320/5	390/5	445/5	320/5	390/5	445/5	320/5	390/5	445/5
	Total Height	mm	521	521	521	521	521	521	521	521	521	521	521
Specs. of Cell	Overall Dimensions	Container Height	mm	490	490	490	490	490	490	490	490	490	490
		Length	mm	99	109	109	99	109	109	99	109	109	109
	Weight of Filled Cell	Width	mm	158	158	158	158	158	158	158	158	158	158
		Approx. kg		19.0	22.0	24.0	19.0	22.0	24.0	19.0	22.0	24.0	22.0
Quantity of Electrolyte	Approx. liter		4.0	4.5	4.8	4.0	4.5	4.8	4.0	4.5	4.8	4.5	4.8
	kg		102	102	102	102	102	102	102	102	102	102	102
Weight	Case	kg	102	102	102	102	102	102	102	102	102	102	102
	Total (Battery)	kg	590	655	700	590	655	700	590	655	700	655	700
Operating Time (S mode)		3h50m	4h25m	5h25m	3h50m	4h25m	5h25m	3h40m	4h30m	5h15m	4h30m	5h15m	5h00m

Dimensions of Battery Case

BATTERY CAPACITY : 320AH/5HR, 48V
390AH/5HR, 48V
435AH/5HR, 48V

Unit: mm

