

2.0ton ▶ 3.5ton
at 500mm Load Center

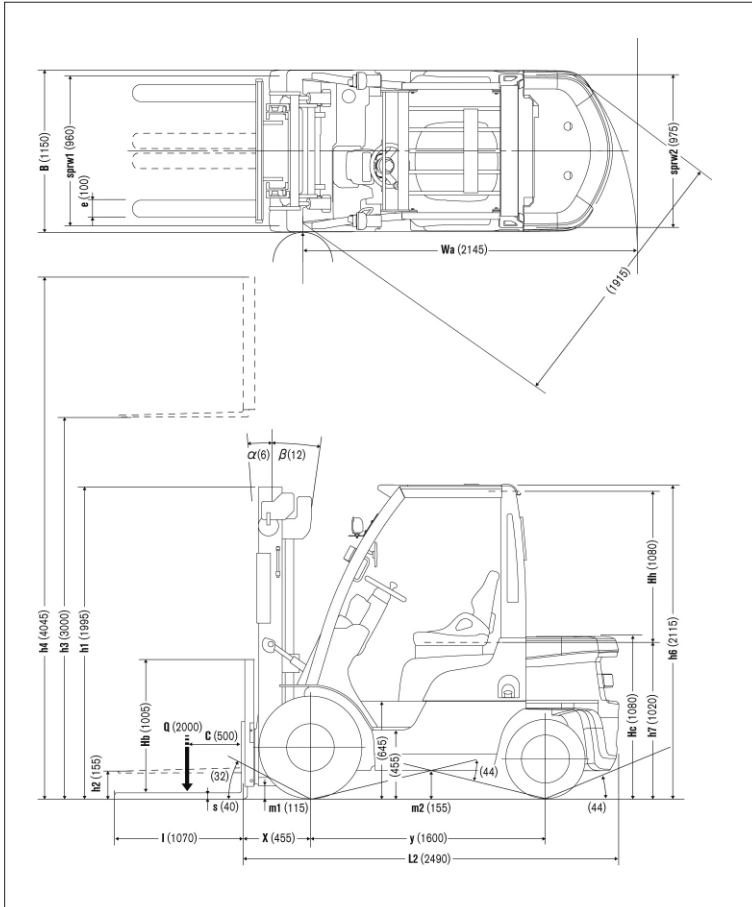
NISSAN
FORKLIFT

1F Series

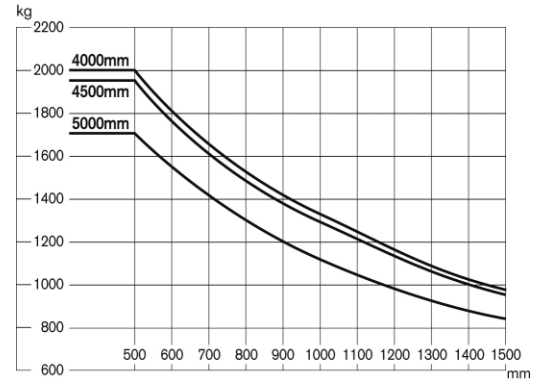
Pneumatic Tire / Engine-powered Models **2.0–3.5 ton**



Dimensions



Load Capacity Chart



No capacity reduction until 4000 mm height. Load capacities are computed with following conditions, a) Standard 2W Mast and b) Mast in vertical position.

Tire and Tread Specifications

Front Tire	Single	Double
Front Tire Size	7.00-12-12PR (I)	
Overall Width mm	1150	1640
Front Tread mm	960	1205

Ground Clearance

Under mast	mm	115
Under power unit	mm	135
Under frame	mm	155

Mast Specifications & Rated Capacities

P1F2A20JU,P1F2A20DU,P1F2A20U,P1F2A20WU,U1F2A20JU,U1F2A20DU,
U1F2A20U,U1F2M20U,U1F2A20WU,U1F2M20WU,Y1F2A20U,Y1F2M20U

Mast type	Mast name	Max. fork Height mm	Overall height			Free lift		Front overhang mm	Tilt angle Forward/ Backward deg	Capacity	
			Fully lowered mm	Fully extended		Without backrest mm	With STD backrest mm			Single tire Load center 500mm kg	Double tire Load center 500mm kg
				Without backrest mm	With STD backrest mm						
Two stage (Wide view 2W)	2W300	3000	1995	3620	4045	155	155	455	6/12	2000	
	2W330	3300	2145	3920	4345				6/12	2000	
	2W350	3500	2280	4120	4545				6/12	2000	
	2W370	3700	2405	4320	4745				6/12	2000	
	2W400	4000	2595	4620	5045				6/12	2000	
	2W450	4500	2845	5120	5545				6/6	1950	
	2W500	5000	3095	5620	6045				6/6	1700	1850
Two stage (Full free 2F)	2F300	3000	1995	3650	4045	1385	990	455	6/12	2000	
	2F330	3300	2145	3950	4345	1535	1140		6/12	2000	
	2F350	3500	2280	4150	4545	1670	1275		6/12	2000	
	2F370	3700	2405	4350	4745	1795	1400		6/12	2000	
	2F400	4000	2595	4650	5045	1985	1590		6/12	2000	
	2F420	4200	2695	4850	5245	2085	1690		6/12	1950*	
Three stage (Full free 3F)	3F385	3850	1845	4500	4895	1235	840	470	6/6	2000	
	3F430	4300	1995	4950	5345	1385	990		6/6	1900	
	3F475	4750	2145	5400	5795	1535	1140		6/6	1800	1850
	3F515	5150	2280	5805	6200	1670	1275		6/6	1550	1800
	3F550	5500	2405	6150	6545	1795	1400		6/6	1450	1750
	3F600	6000	2595	6650	7045	1985	1590		6/6	900	1650
	*3F650	6500	2845	7150	7545	2235	1840		6/6	**-	1550
	*3F700	7000	3095	7650	8045	2485	2090		6/6	**-	1200

* Load capacity for 2F420 (single/double tires): 1950kg for gasoline · gasoline/LPG models, 2000kg for diesel models.

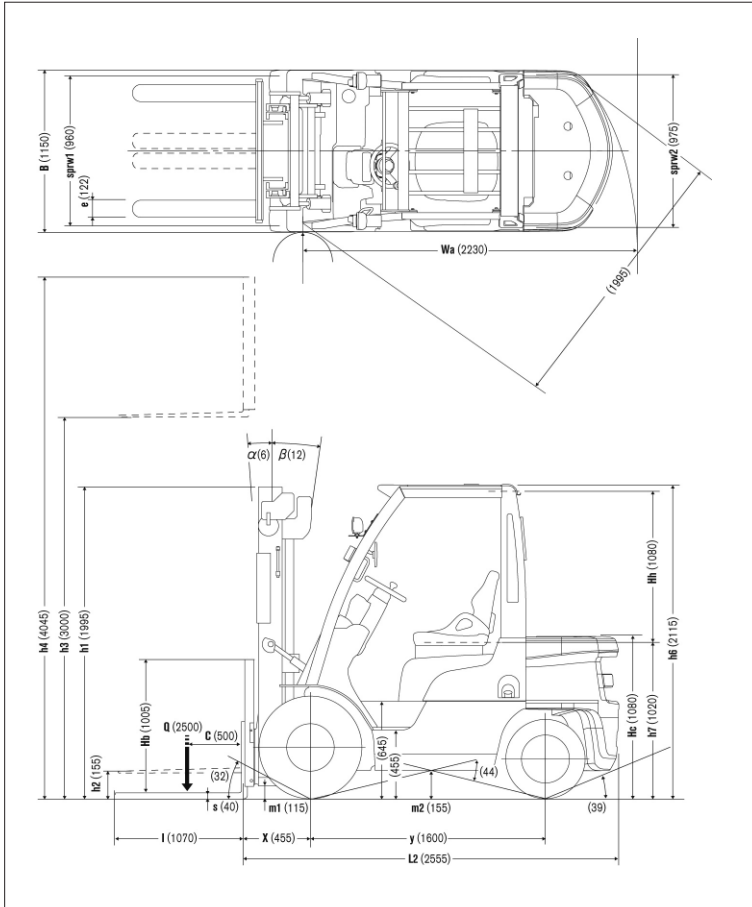
** Double tire only.

Main Truck Specifications

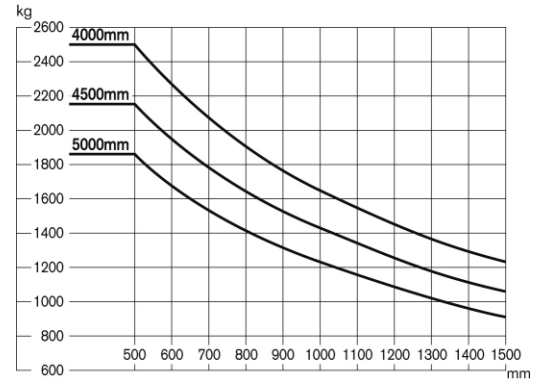
Item				P1F2A20JU/DU	P1F2A20U/WU	U1F2A20JU/DU	U1F2A20U/WU (U1F2M20U/WU)	Y1F2A20U (Y1F2M20U)			
SPECIFICATIONS	1	Manufacturer		Nissan	Nissan	Nissan	Nissan	Nissan	1		
	2	Model		P1F2A20JU/DU	P1F2A20U/WU	U1F2A20JU/DU	U1F2A20U/WU (U1F2M20U/WU)	Y1F2A20U (Y1F2M20U)	2		
	3	Load capacity	Q Load lifted	kg	2000	2000	2000	2000	2000	3	
	4	Load center	C Distance	mm	500	500	500	500	500	4	
	5	Power unit	Battery, diesel, Gasoline, LP gas		Gasoline/Gasoline·LPG	Gasoline/Gasoline·LPG	Gasoline/Gasoline·LPG	Gasoline/Gasoline·LPG	Diesel	5	
	6	Operator type	Walkie, rider / stand, rider / seat		Rider / seat	Rider / seat	Rider / seat	Rider / seat	Rider / seat	6	
	7	Tire type	front / rear		Pneumatic	Pneumatic	Pneumatic	Pneumatic	Pneumatic	7	
	8	Wheels(x=driven)	Number front / rear		2x / 2	2x / 2	2x / 2	2x / 2	2x / 2	8	
DIMENSIONS	9	Maximum fork height	h3 Standard lift height	mm	3000	3000	3000	3000	3000	9	
	10	Free lift	h2 Standard free lift	mm	155	155	155	155	155	10	
	13	Fork size	s.e.l	mm	40×100×1070	40×100×1070	40×100×1070	40×100×1070	40×100×1070	13	
		Max. Fork Spread		mm	1000	1000	1000	1000	1000		
		Min. Fork Spread		mm	250	250	250	250	250		
	14	Tilt range	α / β Mast forward / backward	deg	6 / 12	6 / 12	6/12	6 / 12	6 / 12	14	
	15	Overall measurement	L2 Length to fork face	mm	2490	2490	2490	2490	2490	15	
	16		B Overall width	mm	1150	1150	1150	1150	1150	16	
	17		h1 Height mast fully lowered	mm	1995	1995	1995	1995	1995	17	
	18		h4 Height mast fully extended	mm	4045	4045	4045	4045	4045	18	
	19		h6 Height overhead guard	mm	2115	2115	2115	2115	2115	19	
	20		h7 Height of driver's seat	mm	1020	1020	1020	1020	1020	20	
	21	Turning radius (outside)	Wa	mm	2145	2145	2145	2145	2145	21	
22	Load distance	X From center of front axle	mm	455	455	455	455	455	22		
23	Right angle stacking aisle	Ast pallets (L×W) 1200×800/1000×1200	mm	4000 / 3800	4000 / 3800	4000 / 3800	4000 / 3800	4000 / 3800	23		
PERFORMANCE	24	Speeds	Travelling	full load	km/h	19.5	19.5	19.5	19.5	19.5	24
	no load			km/h	19.5	19.5	19.5	19.5	19.5	19.5	
	Lifting		full load	mm/s	640	550	660	590	640	640	25
			no load	mm/s	690	620	700	680	690	690	
	Lowering		full load	mm/s	500	500	500	500	500	500	26
			no load	mm/s	500	500	500	500	500	500	
28	Max. drawbar pull	full load / no load	N	17100 / 15300	15200 / 15300	18400 / 15300	17300 / 15300 (18000 / 15300)	20700 / 16100	28		
29	Gradeability at 2km/h	full load / no load	$\tan\theta\%$	28 / -	25 / -	32 / -	31 / -	37 / -	29		
30	Max. gradeability	full load / no load	$\tan\theta\%$	34 / 28	30 / 28	37 / 28	35 / 28	42 / 28	30		
WEIGHTS	32	Truck weight	no load	kg	3365	3365	3365	3365	3490	32	
	33	Weight distribution	full load	front / rear	kg	4740 / 625	4740 / 625	4740 / 625	4780 / 710	33	
			no load	front / rear	kg	1550 / 1815	1550 / 1815	1550 / 1815	1590 / 1900	34	
	34										
CHASSIS & WHEELS	35		Number front / rear	each	2 / 2	2 / 2	2 / 2	2 / 2	2 / 2	35	
	36	Tires	Size-front		7.00-12-12PR(I)	7.00-12-12PR(I)	7.00-12-12PR(I)	7.00-12-12PR(I)	7.00-12-12PR(I)	36	
			Size-rear		6.00-9-10PR(I)	6.00-9-10PR(I)	6.00-9-10PR(I)	6.00-9-10PR(I)	6.00-9-10PR(I)	37	
	38	Wheelbase	y	mm	1600	1600	1600	1600	1600	38	
	39	Tread	sprw 1 / sprw 2 front / rear	mm	960 / 975	960 / 975	960 / 975	960 / 975	960 / 975	39	
		Backrest height	Hb top of backrest ~ upper of fork face	mm	1005	1005	1005	1005	1005		
		Overhead guard clearance	Hh	mm	1080	1080	1080	1080	1080		
		Counter weight height	Hc	mm	1080	1080	1080	1080	1080		
	40	Ground clearance	m1 Full load minimum mast	mm	115	115	115	115	115	40	
	41		m2 Full load center of wheelbase	mm	155	155	155	155	155	41	
42	Service brake	Mechanical / hydraulic / electric / pneu		Hydraulic	Hydraulic	Hydraulic	Hydraulic	Hydraulic	42		
43	Parking brake	Foot / hand / seat switch		Hand	Hand	Hand	Hand	Hand	43		
45	Battery	Voltage / Capacity (5 hour)	V/AH	12 / 27	12 / 27	12 / 27	12 / 27	12 / 64	45		
DRIVE LINE	49	Internal Combustion engine	manufacturer / type		Nissan / K21 (ECCS)	Nissan / K21 (Carburetor)	Nissan / K25 (ECCS)	Nissan / K25 (Carburetor)	Nissan / QD32	49	
	50		maximum engine rated power	KW	41	34	46.9	40	38	50	
	51		rated rpm	rpm	2700	2200	2700	2200	2000	51	
	52		Number of Cylinders / Displacement	/ cc	4 / 2065	4 / 2065	4 / 2488	4 / 2488	4 / 3153	52	
	55	Transmission	type		Automatic	Automatic	Automatic	Automatic (Manual)	Automatic (Manual)	55	
		speed		1 / 1	1 / 1	1 / 1	1 / 1 (2 / 2)	1 / 1 (2 / 2)			
57	Operating pressure	for attachment (Side shift)	MPa	12.7	12.7	12.7	12.7	12.7	57		

1F2

Dimensions



Load Capacity Chart



No capacity reduction until 4000 mm height. Load capacities are computed with following conditions, a) Standard 2W Mast and b) Mast in vertical position.

Tire and Tread Specifications

Front Tire	Single	Double
Front Tire Size	7.00-12-12PR (I)	
Overall Width mm	1150	1640
Front Tread mm	960	1205

Ground Clearance

Under mast	mm	115
Under power unit	mm	135
Under frame	mm	155

Mast Specifications & Rated Capacities

P1F2A25JU,P1F2A25DU,P1F2A25U,P1F2A25WU,U1F2A25JU,U1F2A25DU,
U1F2A25U,U1F2M25U,U1F2A25WU,U1F2M25WU,Y1F2A25U,Y1F2M25U

Mast type	Mast name	Max. fork Height mm	Overall height			Free lift		Front overhang mm	Tilt angle Forward/ Backward deg	Capacity	
			Fully lowered mm	Fully extended		Without backrest mm	With STD backrest mm			Single tire Load center 500mm kg	Double tire Load center 500mm kg
				Without backrest mm	With STD backrest mm						
Two stage (Wide view 2W)	2W300	3000	1995	3620	4045	155	155	455	6/12	2500	
	2W330	3300	2145	3920	4345				6/12	2500	
	2W350	3500	2280	4120	4545				6/12	2500	
	2W370	3700	2405	4320	4745				6/12	2500	
	2W400	4000	2595	4620	5045				6/12	2500	
	2W450	4500	2845	5120	5545				6/6	2150	2450
	2W500	5000	3095	5620	6045				6/6	1850	2350
Two stage (Full free 2F)	2F300	3000	1995	3650	4045	1385	990	455	6/12	2500	
	2F330	3300	2145	3950	4345	1535	1140		6/12	2500	
	2F350	3500	2280	4150	4545	1670	1275		6/12	2500	
	2F370	3700	2405	4350	4745	1795	1400		6/12	2500	
	2F400	4000	2595	4650	5045	1985	1590		6/12	2500	
	2F420	4200	2695	4850	5245	2085	1690		6/12	2450*	
Three stage (Full free 3F)	3F385	3850	1845	4500	4895	1235	840	470	6/6	2500	
	3F430	4300	1995	4950	5345	1385	990		6/6	2300	2400
	3F475	4750	2145	5400	5795	1535	1140		6/6	2000	2300
	3F515	5150	2280	5805	6200	1670	1275		6/6	1750	2250
	3F550	5500	2405	6150	6545	1795	1400		6/6	1600	2200
	3F600	6000	2595	6650	7045	1985	1590		6/6	1000	2100
	*3F650	6500	2845	7150	7545	2235	1840		6/6	**-	1650
	*3F700	7000	3095	7650	8045	2485	2090		6/6	**-	1300

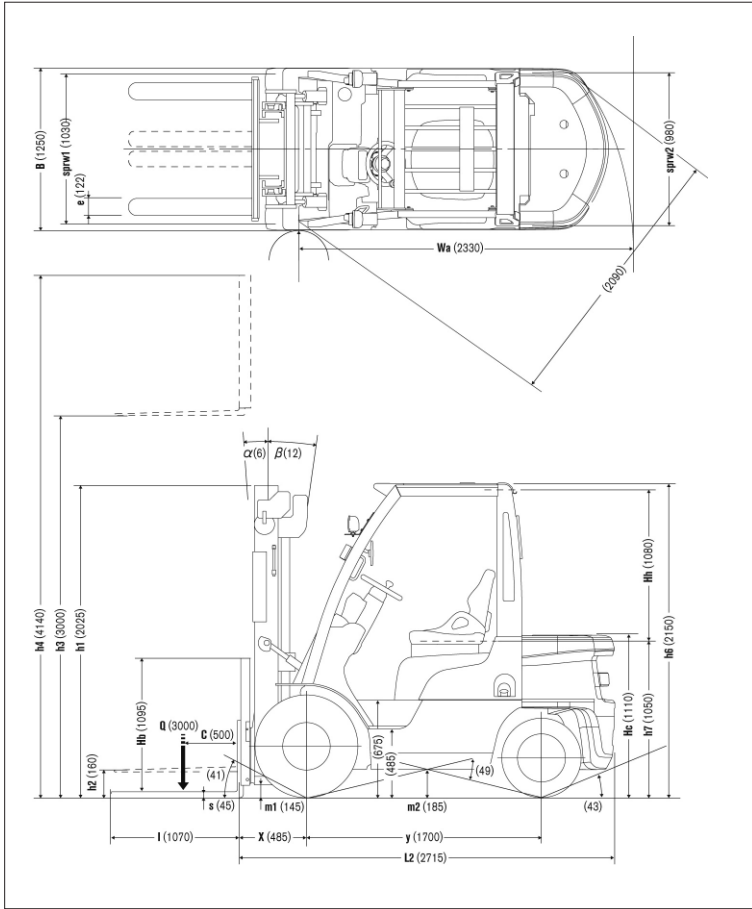
* Load capacity for 2F420 (single/double tires): 2450kg for gasoline · gasoline/LPG models, 2500kg for diesel models.

** Double tire only.

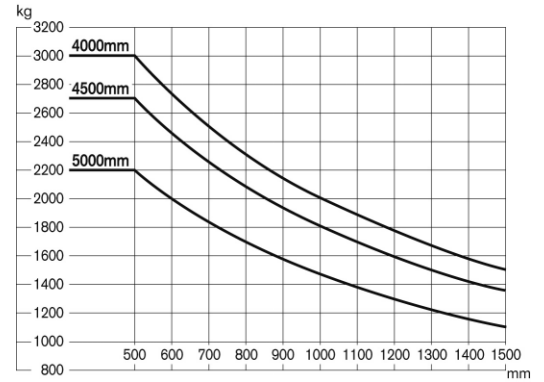
Main Truck Specifications

Item				P1F2A25JU/DU	P1F2A25U/WU	U1F2A25JU/DU	U1F2A25U/WU (U1F2M25U/WU)	Y1F2A25U (Y1F2M25U)			
SPECIFICATIONS	1	Manufacturer		Nissan	Nissan	Nissan	Nissan	Nissan	1		
	2	Model		P1F2A25JU/DU	P1F2A25U/WU	U1F2A25JU/DU	U1F2A25U/WU (U1F2M25U/WU)	Y1F2A25U (Y1F2M25U)	2		
	3	Load capacity	Q Load lifted	kg	2500	2500	2500	2500	2500	3	
	4	Load center	C Distance	mm	500	500	500	500	500	4	
	5	Power unit	Battery, diesel, Gasoline, LP gas		Gasoline/Gasoline·LPG	Gasoline/Gasoline·LPG	Gasoline/Gasoline·LPG	Gasoline/Gasoline·LPG	Diesel	5	
	6	Operator type	Walkie, rider / stand, rider / seat		Rider / seat	Rider / seat	Rider / seat	Rider / seat	Rider / seat	6	
	7	Tire type	front / rear		Pneumatic	Pneumatic	Pneumatic	Pneumatic	Pneumatic	7	
	8	Wheels(x=driven)	Number front / rear		2x / 2	2x / 2	2x / 2	2x/2	2x/2	8	
DIMENSIONS	9	Maximum fork height	h3 Standard lift height	mm	3000	3000	3000	3000	3000	9	
	10	Free lift	h2 Standard free lift	mm	155	155	155	155	155	10	
	13	Fork size	s.e.l	mm	40×122×1070	40×122×1070	40×122×1070	40×122×1070	40×122×1070	13	
		Max. Fork Spread		mm	1000	1000	1000	1000	1000		
		Min. Fork Spread		mm	250	250	250	250	250		
	14	Tilt range	α / β Mast forward / backward	deg	6/12	6/12	6/12	6/12	6/12	14	
	15	Overall measurement	L2 Length to fork face	mm	2555	2555	2555	2555	2555	15	
	16		B Overall width	mm	1150	1150	1150	1150	1150	16	
	17		h1 Height mast fully lowered	mm	1995	1995	1995	1995	1995	17	
	18		h4 Height mast fully extended	mm	4045	4045	4045	4045	4045	18	
	19		h6 Height overhead guard	mm	2115	2115	2115	2115	2115	19	
	20		h7 Height of driver's seat	mm	1020	1020	1020	1020	1020	20	
	21	Turning radius (outside)	Wa	mm	2230	2230	2230	2230	2230	21	
22	Load distance	X From center of front axle	mm	455	455	455	455	455	22		
23	Right angle stacking aisle	Ast pallets (L×W) 1200×800/1000×1200	mm	4085 / 3885	4085 / 3885	4085 / 3885	4085 / 3885	4085 / 3885	23		
PERFORMANCE	24	Speeds	Travelling	full load	km/h	19.5	19.5	19.5	19.5	19.5	24
	no load			km/h	19.5	19.5	19.5	19.5	19.5	19.5	
	Lifting		full load	mm/s	660	550	660	590	640	640	25
			no load	mm/s	700	620	700	680	690	690	
	Lowering		full load	mm/s	500	500	500	500	500	500	26
			no load	mm/s	500	500	500	500	500	500	
28	Max. drawbar pull	full load / no load 5min.	N	17100 / 15300	15200 / 15300	18400 / 15300	17300 / 15300 (18000 / 15300)	20700 / 16100 (16400 / 13900)	28		
29	Gradeability at 2km/h	full load / no load	$\tan\theta\%$	24 / -	22 / -	28 / -	27 / -	31 / -	29		
30	Max. gradeability	full load / no load	$\tan\theta\%$	29 / 23	26 / 23	32 / 23	29 / 23	35 / 24	30		
WEIGHTS	32	Truck weight	no load	kg	3730	3730	3730	3730	3850	32	
	33	Weight distribution	full load	front / rear	kg	5460 / 770	5460 / 770	5460 / 770	5495 / 855	33	
			no load	front / rear	kg	1470 / 2260	1470 / 2260	1470 / 2260	1505 / 2345	34	
	34										
CHASSIS & WHEELS	35		Number front / rear	each	2 / 2	2 / 2	2 / 2	2 / 2	2/2	35	
	36	Tires	Size-front		7.00-12-12PR(I)	7.00-12-12PR(I)	7.00-12-12PR(I)	7.00-12-12PR(I)	7.00-12-12PR(I)	36	
			Size-rear		6.00-9-10PR(I)	6.00-9-10PR(I)	6.00-9-10PR(I)	6.00-9-10PR(I)	6.00-9-10PR(I)	37	
	38	Wheelbase	y	mm	1600	1600	1600	1600	1600	38	
	39	Tread	sprw 1 / sprw 2 front / rear	mm	960 / 975	960 / 975	960 / 975	960 / 975	960 / 975	39	
		Backrest height	Hb top of backrest ~ upper of fork face	mm	1005	1005	1005	1005	1005		
		Overhead guard clearance	Hh	mm	1080	1080	1080	1080	1080		
		Counter weight height	Hc	mm	1080	1080	1080	1080	1080		
	40	Ground clearance	m1 Full load minimum mast	mm	115	115	115	115	115	40	
	41		m2 Full load center of wheelbase	mm	155	155	155	155	155	41	
	42	Service brake	Mechanical / hydraulic / electric / pneu		Hydraulic	Hydraulic	Hydraulic	Hydraulic	Hydraulic	42	
43	Parking brake	Foot / hand / seat switch		Hand	Hand	Hand	Hand	Hand	43		
45	Battery	Voltage / Capacity (5 hour)	V/AH	12 / 27	12 / 27	12 / 27	12 / 27	12 / 64	45		
DRIVE LINE	49	Internal Combustion engine	manufacturer / type		Nissan / K21 (ECCS)	Nissan / K21 (Carburetor)	Nissan / K25 (ECCS)	Nissan / K25 (Carburetor)	Nissan / QD32	49	
	50		maximum engine rated power	KW	41	34	46.9	40	38	50	
	51		rated rpm	rpm	2700	2200	2700	2200	2000	51	
	52		Number of cylinders / Displacement	/ cc	4 / 2065	4 / 2065	4 / 2488	4 / 2488	4 / 3153	52	
	55	Transmission	type		Automatic	Automatic	Automatic	Automatic	Automatic	55	
	speed			1 / 1	1 / 1	1 / 1	1 / 1 (2 / 2)	1 / 1 (2 / 2)			
57	Operating pressure	for attachment (Side shift)	MPa	12.7	12.7	12.7	12.7	12.7	57		

Dimensions



Load Capacity Chart



No capacity reduction until 4000 mm height. Load capacities are computed with following conditions, a) Standard 2W Mast and b) Mast in vertical position.

Tire and Tread Specifications

Front Tire	Single	Double
Front Tire Size	28X9-15-12PR (I)	28X8-15-12PR (I)
Overall Width mm	1250	1665
Front Tread mm	1030	1210

Ground Clearance

Under mast	mm	145
Under power unit	mm	165
Under frame	mm	185

Mast Specifications & Rated Capacities

UG1F2A30JU,UG1F2A30DU,UG1F2A30U,UG1F2A30WU,YG1F2A30U,YG1F2M30U

Mast type	Mast name	Max. fork Height mm	Overall height			Free lift		Front overhang mm	Tilt angle Forward/ Backward deg	Capacity	
			Fully lowered mm	Fully extended		Without backrest mm	With STD backrest mm			Single tire Load center 500mm kg	Double tire Load center 500mm kg
				Without backrest mm	With STD backrest mm						
Two stage (Wide view 2W)	2W300	3000	2025	3640	4140	160	160	485	6/12	3000	
	2W330	3300	2175	3940	4440				6/12	3000	
	2W350	3500	2310	4140	4640				6/12	3000	
	2W370	3700	2435	4340	4840				6/12	3000	
	2W400	4000	2625	4640	5140				6/12	3000	
	2W450	4500	2875	5140	5640				6/6	2700	2950
	2W500	5000	3125	5640	6140				6/6	2200	2850
Two stage (Full free 2F)	2F300	3000	2025	3665	4140	1405	930	495	6/12	3000	
	2F330	3300	2175	3965	4440	1555	1080		6/12	3000	
	2F350	3500	2310	4165	4640	1690	1215		6/12	3000	
	2F370	3700	2435	4365	4840	1815	1340		6/12	3000	
	2F400	4000	2625	4665	5140	2005	1530		6/12	3000	
	2F420	4200	2725	4865	5340	2105	1630		6/12	2950*	
Three stage (Full free 3F)	3F385	3850	2025	4485	4990	1435	930	485	6/6	3000	
	3F430	4300	2175	4935	5440	1585	1080		6/6	2900	2950
	3F475	4750	2310	5385	5890	1720	1215		6/6	2650	2850
	3F515	5150	2435	5790	6295	1845	1340		6/6	2000	2650
	3F550	5500	2625	6135	6640	2035	1530		6/6	1650	2600
	3F600	6000	2875	6635	7140	2285	1780		6/6	1150	2500
	*3F650	6500	3125	7135	7640	2535	2030		6/6	**-	2200
	*3F700	7000	3375	7635	8140	2785	2280		6/6	**-	1900

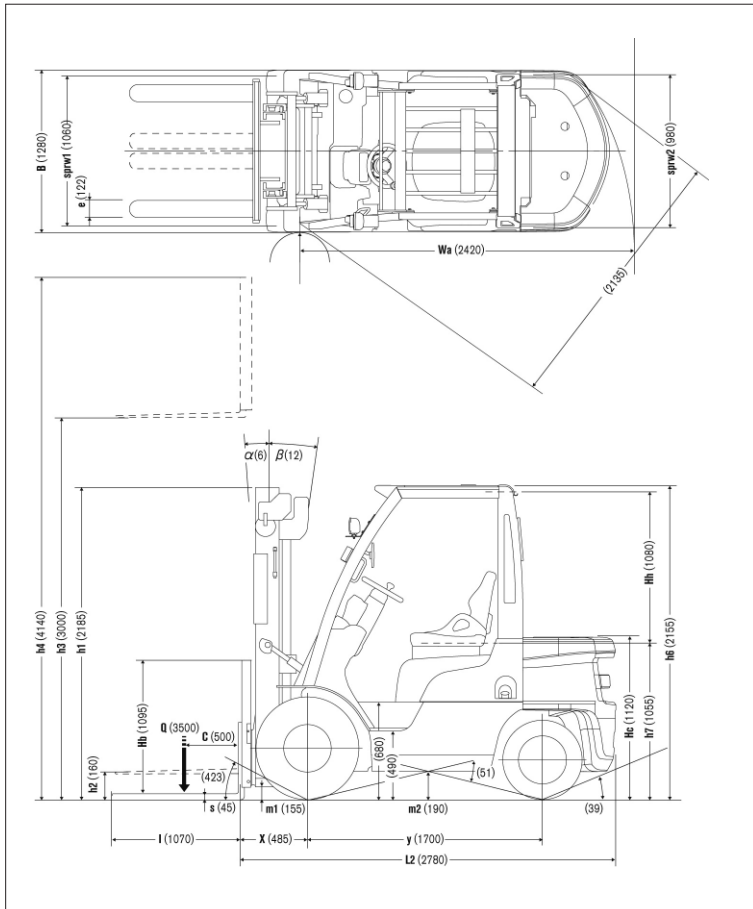
* Load capacity for 2F420 (single/double tires): 2950kg for gasoline·gasoline/LPG models, 3000kg for diesel models.

** Double tire only.

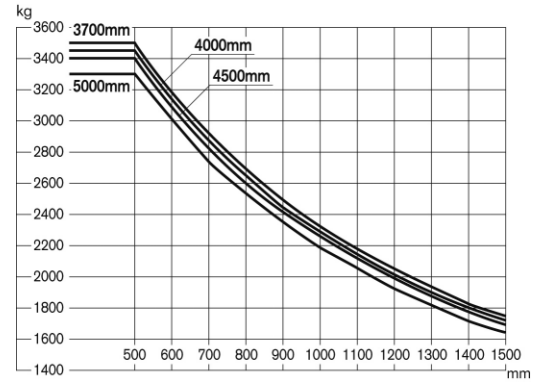
Main Truck Specifications

Item				UG1F2A30JU/DU	UG1F2A30U/WU	YG1F2A30U (YG1F2M30U)			
SPECIFICATIONS	1	Manufacturer		Nissan	Nissan	Nissan	1		
	2	Model		UG1F2A30JU/DU	UG1F2A30U/WU	YG1F2A30U (YG1F2M30U)	2		
	3	Load capacity	Q Load lifted	kg	3000	3000	3000	3	
	4	Load center	C Distance	mm	500	500	500	4	
	5	Power unit	Battery, diesel, Gasoline, LP gas		Gasoline / Gasoline · LPG	Gasoline / Gasoline · LPG	Diesel	5	
	6	Operator type	Walkie, rider / stand, rider / seat		Rider / seat	Rider / seat	Rider / seat	6	
	7	Tire type	front / rear		Pneumatic	Pneumatic	Pneumatic	7	
	8	Wheels(x=driven)	Number	front / rear	2x / 2	2x / 2	2x / 2	8	
DIMENSIONS	9	Maximum fork height	h3 Standard lift height	mm	3000	3000	3000	9	
	10	Free lift	h2 Standard free lift	mm	160	160	160	10	
	13	Fork size	s.e.l	mm	45 × 122 × 1070	45 × 122 × 1070	45 × 122 × 1070	13	
		Max. Fork Spread		mm	1000	1000	1000		
		Min. Fork Spread		mm	250	250	250		
	14	Tilt range	α / β Mast forward / backward		deg	6 / 12	6 / 12	6/12	14
	15	Overall measurement	L2	Length to fork face	mm	2715	2715	2715	15
	16		B	Overall width	mm	1250	1250	1250	16
	17		h1	Height mast fully lowered	mm	2025	2025	2025	17
	18		h4	Height mast fully extended	mm	4140	4140	4140	18
	19		h6	Height overhead guard	mm	2150	2150	2150	19
	20		h7	Height of driver's seat	mm	1050	1050	1050	20
	21	Turning radius (outside)	Wa		mm	2330	2330	2330	21
22	Load distance	X	From center of front axle	mm	485	485	485	22	
23	Right angle stacking aisle	Ast pallets (L×W) 1200×800/1000×1200		mm	4215 / 4015	4215 / 4015	4215 / 4015	23	
PERFORMANCE	24	Speeds	Travelling	full load	km/h	19.5	19.5	19.0	24
	no load			km/h	19.5	19.5	19.0		
	Lifting		full load	mm/s	530	500	540	25	
			no load	mm/s	560	550	580		
	Lowering		full load	mm/s	500	500	500	26	
			no load	mm/s	500	500	500		
28	Max. drawbar pull	full load / no load		N	18200 / 11800	17000 / 11800	21700 / 11800 (17500 / 11800)	28	
29	Gradeability at 2km/h	full load / no load		tan θ %	24 / -	21 / -	29 / -	29	
30	Max. gradeability	full load / no load		tan θ %	26 / 23	24 / 23	31 / 24	30	
WEIGHTS	32	Truck weight	no load		kg	4280	4280	4400	32
	33	Weight distribution	full load		kg	6415 / 865	6415 / 865	6455 / 945	33
			no load		kg	1675 / 2605	1675 / 2605	1720 / 2680	34
	34								
CHASSIS & WHEELS	35		Number	front / rear	each	2 / 2	2 / 2	2 / 2	35
	36	Tires	Size-front			28x9-15-12PR (I)	28x9-15-12PR (I)	28x9-15-12PR (I)	36
			Size-rear			6.50-10-10PR (I)	6.50-10-10PR (I)	6.50-10-10PR (I)	37
	38	Wheelbase	y		mm	1700	1700	1700	38
	39	Tread	sprw 1 / sprw 2	front / rear	mm	1030 / 980	1030 / 980	1030 / 980	39
		Backrest height	Hb	top of backrest ~ upper of fork face	mm	1095	1095	1095	
		Overhead guard clearance	Hh		mm	1080	1080	1080	
		Counter weight height	Hc		mm	1110	1110	1110	
	40	Ground clearance	m1	Full load minimum mast	mm	145	145	145	40
	41		m2	Full load center of wheelbase	mm	185	185	185	41
42	Service brake	Mechanical / hydraulic / electric / pneu			Hydraulic	Hydraulic	Hydraulic	42	
43	Parking brake	Foot / hand / seat switch			Hand	Hand	Hand	43	
45	Battery	Voltage / Capacity (5 hour)		V/AH	12 / 27	12 / 27	12 / 64	45	
DRIVE LINE	49	Internal Combustion engine	manufacturer / type			Nissan / K25 (ECCS)	Nissan / K25 (Carburetor)	Nissan / QD32	49
	50		maximum engine rated power		KW	46.9	40	38	50
	51		rated rpm		rpm	2700	2200	2000	51
	52		Number of cylinders / Displacement		/ cc	4 / 2488	4 / 2488	4 / 3153	52
	55	Transmission	type			Automatic	Automatic	Automatic (Manual)	55
	speed			1 / 1	1 / 1	1 / 1 (2 / 2)			
57	Operating pressure	for attachment (Side shift)		MPa	12.7	12.7	12.7	57	

Dimensions



Load Capacity Chart



No capacity reduction until 3700 mm height. Load capacities are computed with following conditions, a) Standard 2W Mast and b) Mast in vertical position.

Tire and Tread Specifications

Front Tire	Single	Double
Front Tire Size	250-15-16PR (I)	28X9-15-12PR (I)
Overall Width mm	1280	1720
Front Tread mm	1060	1230

Ground Clearance

Under mast	mm	155
Under power unit	mm	170
Under frame	mm	190

Mast Specifications & Rated Capacities

UG1F2A35JU,UG1F2A35DU,UG1F2A35U,UG1F2A35WU,YG1F2A35U,YG1F2M35U

Mast type	Mast name	Max. fork Height mm	Overall height			Free lift		Front overhang mm	Tilt angle Forward/ Backward deg	Capacity				
			Fully lowered mm	Fully height		Without backrest mm	With STD backrest mm			Single tire Load center 500mm kg	Double tire Load center 500mm kg			
				Without backrest mm	With STD backrest mm									
Two stage (Wide view 2W)	2W300	3000	2185	3740	4140	160	160	485	6/12	3500				
	2W330	3300	2320	4040	4440					3500				
	2W350	3500	2445	4240	4640					3500				
	2W370	3700	2635	4440	4840					3500				
	2W400	4000	2885	4740	5140					3450				
	2W450	4500	3135	5240	5640					3400				
2W500	5000	3385	5740	6140	3300									
Two stage (Full free 2F)	2F300	3000	2185	3790	4140	1440	1090	495	6/12	3500				
	2F330	3300	2320	4090	4440	1575	1225			3500				
	2F350	3500	2445	4290	4640	1700	1350			3500				
	2F370	3700	2635	4490	4840	1890	1540			3500				
	2F400	4000	2885	4790	5140	2140	1790			3450				
Three stage (Full free 3F)	3F385	3850	2035	4670	4990	1260	940	495	6/6	3500				
	3F430	4300	2185	5120	5440	1410	1090			3450				
	3F475	4750	2320	5570	5890	1545	1225			3400				
	3F515	5150	2445	5975	6295	1670	1350			6/6	3200	3250*		
	3F550	5500	2635	6320	6640	1860	1540						2700 3200	
	3F600	6000	2885	6820	7140	2110	1790						2000 3100	
	*3F650	6500	3135	7320	7640	2360	2040						** 2500	
	*3F700	7000	3385	7820	8140	2610	2290			** 2200				

* Load capacity for 3F515 (double tires): 3250kg for gasoline · gasoline/LPG models, 3300kg for diesel models.

** Double tire only.

Main Truck Specifications

Item				UG1F2A35JU/DU	UG1F2A35U/WU	YG1F2A35U (YG1F2M35U)			
SPECIFICATIONS	1	Manufacturer		Nissan	Nissan	Nissan	1		
	2	Model		UG1F2A35JU/DU	UG1F2A35U/WU	YG1F2A35U (YG1F2M35U)	2		
	3	Load capacity	Q Load lifted	kg	3500	3500	3500	3	
	4	Load center	C Distance	mm	500	500	500	4	
	5	Power unit	Battery, diesel, Gasoline, LP gas		Gasoline / Gasoline · LPG	Gasoline / Gasoline · LPG	Diesel	5	
	6	Operator type	Walkie, rider / stand, rider / seat		Rider / seat	Rider / seat	Rider / seat	6	
	7	Tire type	front / rear		Pneumatic	Pneumatic	Pneumatic	7	
	8	Wheels(x=driven)	Number	front / rear	2x / 2	2x / 2	2x / 2	8	
DIMENSIONS	9	Maximum fork height	h3 Standard lift height	mm	3000	3000	3000	9	
	10	Free lift	h2 Standard free lift	mm	160	160	160	10	
	13	Fork size	s.e.l	mm	45 × 122 × 1070	45 × 122 × 1070	45 × 122 × 1070	13	
		Max. Fork Spread		mm	980	980	980		
		Min. Fork Spread		mm	275	275	275		
	14	Tilt range	α / β Mast forward / backward		deg	6 / 12	6/12	6/12	14
	15	Overall measurement	L2	Length to fork face	mm	2780	2780	2780	15
	16		B	Overall width	mm	1280	1280	1280	16
	17		h1	Height mast fully lowered	mm	2185	2185	2185	17
	18		h4	Height mast fully extended	mm	4140	4140	4140	18
	19		h6	Height overhead guard	mm	2155	2155	2155	19
	20		h7	Height of driver's seat	mm	1055	1055	1055	20
	21	Turning radius (outside)	Wa		mm	2420	2420	2420	21
22	Load distance	X	From center of front axle	mm	485	485	485	22	
23	Right angle stacking aisle	Ast pallets (L×W) 1200×800/1000×1200		mm	4305 / 4105	4305 / 4105	4305 / 4105	23	
PERFORMANCE	24	Speeds	Travelling	full load	km/h	19.0	19.0	19.0 (18.0)	24
	no load			km/h	19.0	19.0	19.0 (18.0)		
	Lifting		full load	mm/s	450	400	440	25	
			no load	mm/s	470	460	480		
	Lowering		full load	mm/s	420	420	420	26	
			no load	mm/s	360	360	360		
28	Max. drawbar pull	full load / no load		N	17300 / 11800	15700 / 11800	21700 / 11800 (17500 / 11800)	28	
29	Gradeability at 2km/h	full load / no load		tan θ %	19 / -	17 / -	26 / -	29	
30	Max. gradeability	full load / no load		tan θ %	22 / 22	20 / 22	28 / 23	30	
WEIGHTS	32	Truck weight	no load		kg	4605	4605	4730	32
	33	Weight distribution	full load		kg	7140 / 965	7140 / 965	7190 / 1040	33
			no load		kg	1615 / 2990	1615 / 2990	1665 / 3065	34
	34								
CHASSIS & WHEELS	35		Number	front / rear	each	2/2	2 / 2	2/2	35
	36	Tires	Size-front			250-15-16PR (I)	250-15-16PR (I)	250-15-16PR (I)	36
			Size-rear			6.50-10-12PR (I)	6.50-10-12PR (I)	6.50-10-12PR (I)	37
	38	Wheelbase	y		mm	1700	1700	1700	38
	39	Tread	sprw 1 / sprw 2	front / rear	mm	1060 / 980	1060 / 980	1060 / 980	39
		Backrest height	Hb	top of backrest ~ upper of fork face	mm	1095	1095	1095	
		Overhead guard clearance	Hh		mm	1080	1080	1080	
		Counter weight height	Hc		mm	1120	1120	1120	
	40	Ground clearance	m1	Full load minimum mast	mm	155	155	155	40
	41		m2	Full load center of wheelbase	mm	190	190	190	41
42	Service brake	Mechanical / hydraulic / electric / pneu			Hydraulic	Hydraulic	Hydraulic	42	
43	Parking brake	Foot / hand / seat switch			Hand	Hand	Hand	43	
45	Battery	Voltage / Capacity (5 hour)		V/AH	12 / 27	12 / 27	12 / 64	45	
DRIVE LINE	49	Internal Combustion engine	manufacturer / type			Nissan / K25 (ECCS)	Nissan / K25 (Carburetor)	Nissan / QD32	49
	50		maximum engine rated power		KW	46.9	40	38	50
	51		rated rpm		rpm	2700	2200	2000	51
	52		Number of cylinders / Displacement		/ cc	4 / 2488	4 / 2488	4 / 3153	52
	55	Transmission	type			Automatic	Automatic	Automatic (Manual)	55
	speed			1 / 1	1 / 1	1 / 1 (2 / 2)			
57	Operating pressure	for attachment (Side shift)		MPa	12.7	12.7	12.7	57	

1F2



Multifunctional LCD Meter

The large, easy-to-see Multifunctional LCD Meter lets the operator check on all aspects of operational status at a glance. The many functions such as the Speedometer, Self-diagnosis System, PIN Access and Service Reminder System ease truck operation and maintenance.



Speedometer

Self-diagnosis System

PIN Access

Service Reminder System

Power/Eco Selector (Standard on ECCS models)

A quick press of the switch to ECO mode provides low noise, a 17% reduction in fuel consumption* and reduction of tire wear compared to POWER mode.

*Nissan figures

*Performance figures may vary depending on the actual working conditions.

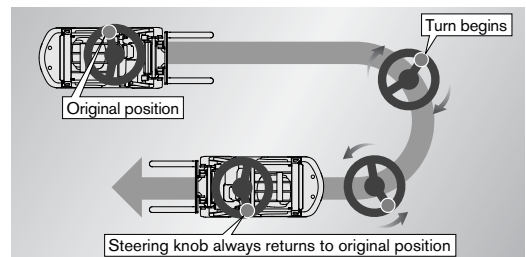


Speed Selector (Option for ECCS models)

Select maximum speed settings based on operator skill level, or the truck operation characteristics of your operations.

Steering Synchronizer (Option)

A sensor checks the steering and tire angle so the steering knob always returns to original position. This function helps ensure the accurate and consistent coordination of steering wheel and tires, for precise steering.



Tilt Leveling System (Option)



A simple press of a button on the mast control lever brings the forks automatically to the horizontal position—a great aid for new operators.

FINGERTIP Control Lever (Option)

The optional fingertip control system uses electro-hydraulic levers for control of travel direction, horn, tilt and lift operations with just a slight touch of the finger, providing greater ergonomics and productivity. Both single and double control levers are available.

(Available on 2.0 and 2.5 ton models with 2W and 3F masts.)



Option Availability for 1F Series

Standard Option

	Item	(P/U/UG)1F2 20-35 Gasoline				Y(G)1F2 20-35 Diesel
		ECCS Gasoline	ECCS Dual	Carburetor Gasoline	Carburetor Dual	
Truck management	VCM	●	●	●	●	●
Powertrain	Power train floating	●	●	●	●	●
	ECCS	●	●	—	—	—
	Carburetor type	—	—	●	●	—
	Speed Selector	○	○	—	—	—
	Power / Eco Selector	●	●	—	—	—
	Radiator screen	○	○	○	○	○
	3-way catalytic muffler	●	●	—	—	—
	Diesel Particulate Filter (DPF)	—	—	—	—	○
LPG system* (Dual fuel)	Overhead exhaust muffler	—	—	○	○	○
	Complete system	—	○	—	○	—
	Swing-back bracket	—	○	—	○	—
	Swing-open bracket	—	○	—	○	—
Instruments	Swing-down bracket	—	○	—	○	—
	Multifunctional LCD Meter Directional indicator, Fuel & water temperature gauges, Multifunction display (hour meter, clock/calendar, speedometer, service reminder, warning indicators), PIN Access, Self-diagnosis System	●	●	●	●	●
Warning buzzer	Back-up buzzer	●	●	●	●	●
	Parking brake warnig buzzer	●	●	●	●	●
Light	Head lights (without guard)	●	●	●	●	●
	Rear combination lamps	○	○	○	○	○
	Rear working light	○	○	○	○	○
	Rotating light (yellow)	○	○	○	○	○
Tires	J-lug tire (Textile)	●	●	●	●	●
	Solid tires	○	○	○	○	○
	AirBoss tires**	○	○	○	○	○
	Double tires	○	○	○	○	○
Body	Rain guard (Vinyl type)	○	○	○	○	○
	Rain guard (Resin type)	○	○	○	○	○
	Canvas cabin	○	○	○	○	○
	Rearview mirrors (both sides)	○	○	○	○	○
	Windshield	○	○	○	○	○
Seat	Restraint seat with suspension	●	●	●	●	●
	Without Seat	○	○	○	○	○
Mast	2W mast	●	●	●	●	●
	2F mast	○	○	○	○	○
	3F mast	○	○	○	○	○
	Without mast	○	○	○	○	○
	Tilt cylinder cover	○	○	○	○	○
	Tilt cylinder boot	○	○	○	○	○
	Tilt Leveling System	○	○	○	○	○
Steering system	Small-diameter steering wheel with tilt adjustment	●	●	●	●	●
	Steering Synchronizer	○	○	○	○	○
Hydraulic control system	2 spool valve	●	●	●	●	●
	3 spool valve	○	○	○	○	○
	4 spool valve	○	○	○	○	○
	Single control lever	○	○	○	○	○
	Double control lever	●	●	●	●	●
	FINGERTIP control (single type)****	○	○	○	○	○
	FINGERTIP control (double type)****	○	○	○	○	○
	3 spool piping to carriage	○	○	○	○	○
	4 spool piping to carriage	○	○	○	○	○
Smooth-run System	○	○	○	○	○	
Carriage & Backrest	Wide carriage	○	○	○	○	○
	ANSI type high backrest	○	○	○	○	○
	ANSI type Wide and high backrest	○	○	○	○	○
	Without backrest	○	○	○	○	○
Fork	Long fork***	○	○	○	○	○
	Extension fork	○	○	○	○	○
	Without fork	○	○	○	○	○
Tool kit	Tool kit	○	○	○	○	○
	Tool kit with jack	○	○	○	○	○
Label	English	●	●	●	●	●
	German	○	○	○	○	○
	French	○	○	○	○	○
	Spanish	○	○	○	○	○

* : Swing-back type is standard

** : AirBoss tire is registered by AirBoss of Australia. AirBoss tire is not available for 3.5t models

*** : Refer to Fork availability

**** : Available on 2.0 to 2.5 ton models with 2W and 3F masts.

Nissan Full Lineup That Exceeds All Expectations

